

JENN-AIR™ ICE MAKER FÁBRICA DE HIELO JENN-AIR™ MACHINE À GLAÇONS JENN-AIR™

USE & CARE GUIDE

For questions about features, operation/performance, parts, accessories, or service, call:
1-800-JENNAIR (1-800-536-6247) or visit our website at **www.jennair.com**.

In Canada, call: **1-800-807-6777**, or visit our website at **www.jennair.ca**.

MANUAL DE USO Y CUIDADO

Si tiene preguntas respecto a las características, funcionamiento, rendimiento, partes, accesorios o servicio técnico, llame al:
1-800-JENNAIR (1-800-536-6247) o visite nuestro sitio de internet: **www.jennair.com**.

En Canadá, llame al: **1-800-807-6777**, o visite nuestro sitio de internet: **www.jennair.ca**.

GUIDE D'UTILISATION ET D'ENTRETIEN

Au Canada, pour assistance, installation ou service, composez le **1-800-807-6777** ou visitez notre site web à **www.jennair.ca**.

Table of Contents/Índice/Table des matières2



TABLE OF CONTENTS

ICE MAKER SAFETY	3	ICE MAKER CARE	10
INSTALLATION INSTRUCTIONS	3	Cleaning.....	10
Unpack the Ice Maker.....	3	Vacation and Moving Care.....	12
Location Requirements.....	4	TROUBLESHOOTING	13
Electrical Requirements.....	4	Ice Maker Operation.....	13
Water Supply Requirements.....	4	Ice Production.....	13
Leveling.....	5	Ice Quality.....	14
Connect Water Supply.....	5	Plumbing Problems.....	14
Drain Connection.....	6	ASSISTANCE OR SERVICE	14
Ice Maker Door.....	7	In the U.S.A.....	14
Normal Sounds.....	8	In Canada.....	14
ICE MAKER USE	9	WARRANTY	15
How Your Ice Maker Works.....	9		
Using the Controls.....	9		

ÍNDICE

SEGURIDAD DE LA FÁBRICA DE HIELO	16	CUIDADO DE LA FÁBRICA DE HIELO	24
INSTRUCCIONES DE INSTALACIÓN	16	Limpieza.....	24
Desempaque la fábrica de hielo.....	16	Cuidado durante las vacaciones y mudanzas.....	26
Requisitos de ubicación.....	17	SOLUCIÓN DE PROBLEMAS	27
Requisitos eléctricos.....	17	Funcionamiento de la fábrica de hielo.....	27
Requisitos del suministro de agua.....	18	Producción de hielo.....	28
Nivelación.....	18	Calidad del hielo.....	28
Conexión del suministro de agua.....	18	Problemas de plomería.....	28
Conexión del desagüe.....	20	AYUDA O SERVICIO TÉCNICO	29
Puerta de la fábrica de hielo.....	21	En los EE.UU.....	29
Sonidos normales.....	22	En Canadá.....	29
USO DE LA FÁBRICA DE HIELO	23	GARANTÍA	30
Cómo funciona su fábrica de hielo.....	23		
Uso de los controles.....	23		

TABLE DES MATIÈRES

SÉCURITÉ DE LA MACHINE À GLAÇONS	31	ENTRETIEN DE LA MACHINE À GLAÇONS	38
INSTRUCTIONS D'INSTALLATION	31	Nettoyage.....	38
Déballage de la machine à glaçons.....	31	Précautions à prendre avant les vacances ou un déménagement.....	40
Exigences d'emplacement.....	32	DÉPANNAGE	41
Spécifications électriques.....	32	Fonctionnement de la machine à glaçons.....	41
Spécifications de l'alimentation en eau.....	32	Production de glaçons.....	42
Nivellement.....	33	Qualité des glaçons.....	42
Raccordement à la canalisation d'eau.....	33	Problèmes de plomberie.....	42
Raccordement au conduit d'évacuation.....	34	ASSISTANCE OU SERVICE	43
Porte de la machine à glaçons.....	35	Aux États-Unis.....	43
Sons normaux.....	37	Au Canada.....	43
UTILISATION DE LA MACHINE À GLAÇONS	37	GARANTIE	44
Fonctionnement de la machine à glaçons.....	37		
Utilisation des commandes.....	38		

ICE MAKER SAFETY

Your safety and the safety of others are very important.

We have provided many important safety messages in this manual and on your appliance. Always read and obey all safety messages.



This is the safety alert symbol.

This symbol alerts you to potential hazards that can kill or hurt you and others.

All safety messages will follow the safety alert symbol and either the word "DANGER" or "WARNING."

These words mean:

⚠ DANGER

You can be killed or seriously injured if you don't immediately follow instructions.

⚠ WARNING

You can be killed or seriously injured if you don't follow instructions.

All safety messages will tell you what the potential hazard is, tell you how to reduce the chance of injury, and tell you what can happen if the instructions are not followed.

IMPORTANT SAFETY INSTRUCTIONS

WARNING: To reduce the risk of fire, electric shock, or injury when using your ice maker, follow these basic precautions:

- Plug into a grounded 3 prong outlet.
- Do not remove ground prong.
- Do not use an adapter.
- Do not use an extension cord.
- Disconnect power before cleaning.
- Disconnect power before servicing.
- Replace all parts and panels before operating.
- Use two or more people to move and install ice maker.

SAVE THESE INSTRUCTIONS

INSTALLATION INSTRUCTIONS

Unpack the Ice Maker

⚠ WARNING

Excessive Weight Hazard

Use two or more people to move and install ice maker.

Failure to do so can result in back or other injury.

- Do not use sharp instruments, rubbing alcohol, flammable fluids, or abrasive cleaners to remove tape or glue. Do not use chlorine bleach on the stainless steel surfaces of the ice maker. These products can damage the surface of your ice maker.

Cleaning Before Use

After you remove all of the packaging materials, clean the inside of your ice maker before using it. See the cleaning instructions in the "Ice Maker Care" section.

Removing Packaging Materials

Remove tape and glue from your ice maker before using.

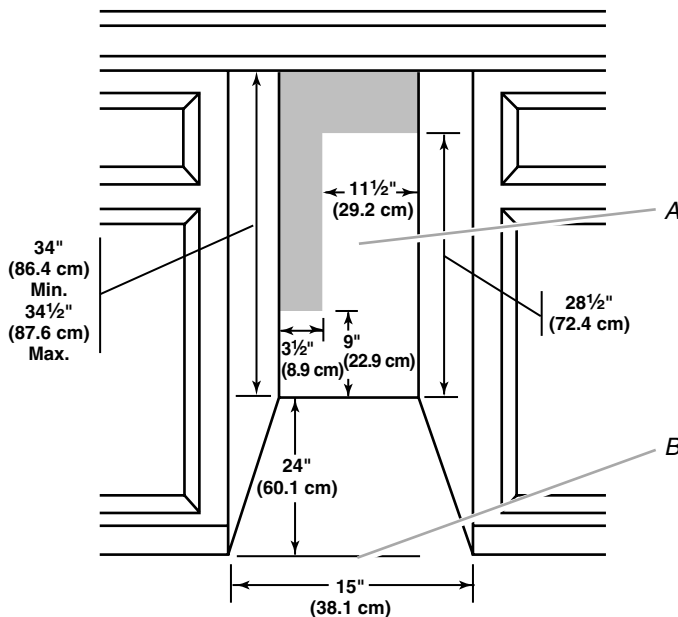
- To remove any remaining tape or glue from the exterior of the ice maker, rub the area briskly with your thumb. Tape or glue residue can also be easily removed by rubbing a small amount of liquid dish soap over the adhesive with your fingers. Wipe with warm water and dry.

Location Requirements

- To ensure proper ventilation for your ice maker, the front side must be completely unobstructed. The ice maker may be closed-in on the top and three sides, but the installation should allow the ice maker to be pulled forward for servicing if necessary.
- Installation of the ice maker requires a cold water supply inlet of 1/4" (6.35 mm) OD soft copper tubing with a shutoff valve and either a gravity-drain system or condensate pump to carry the water to an existing drain.
- Choose a well ventilated area with temperatures above 55°F (13°C) and below 110°F (43°C). Best results are obtained between 70°F (21°C) and 90°F (32°C).
- This unit must be installed in an area sheltered from the elements, such as wind, rain, water spray, or drip.
- When installing the ice maker under a counter, follow the recommended opening dimensions shown. Place electrical and plumbing fixtures in the recommended location as shown.

NOTES:

- Be sure the power supply cord is not pinched between the ice maker and the cabinet.
- Be sure the water supply line is not pinched between the ice maker and the cabinet.
- Be sure the drain line (on some models) is not pinched between the ice maker and the cabinet.



A. Recommended location for electrical and plumbing fixtures
B. Floor level

- Choose a location where the floor is even. It is important for the ice maker to be level in order to work properly. If needed, you can adjust the height of the ice maker by changing the height of the leveling legs. See "Leveling."

Electrical Requirements

⚠ WARNING



Electrical Shock Hazard

Plug into a grounded 3 prong outlet.

Do not remove ground prong.

Do not use an adapter.

Do not use an extension cord.

Failure to follow these instructions can result in death, fire, or electrical shock.

Before you move your ice maker into its final location, it is important to make sure you have the proper electrical connection:

A 115 Volt, 60 Hz., AC only, 15- or 20-amp electrical supply, properly grounded in accordance with the National Electrical Code and local codes and ordinances, is required.

It is recommended that a separate circuit, serving only your ice maker, be provided. Use a receptacle which cannot be turned off by a switch or pull chain.

IMPORTANT: If this product is connected to a GFCI (Ground Fault Circuit Interrupter) equipped outlet, nuisance tripping of the power supply may occur, resulting in loss of cooling. Ice quality may be affected. If nuisance tripping has occurred, and if the condition of the ice appears poor, dispose of it.

Recommended grounding method

This appliance must be grounded. This appliance is equipped with a power supply cord having a 3 prong grounding plug. The cord must be plugged into a mating, 3 prong, grounding-type wall receptacle, grounded in accordance with the National Electrical Code and local codes and ordinances. If a mating wall receptacle is not available, it is the personal responsibility of the customer to have a properly grounded, 3 prong wall receptacle installed by a qualified electrician.

Water Supply Requirements

A cold water supply with water pressure of between 30 and 120 psi (207 and 827 kPa) is required to operate the ice maker. If you have questions about your water pressure, call a licensed, qualified plumber.

Reverse Osmosis Water Supply

IMPORTANT:

- Reverse osmosis water filtration systems can be used only with ice maker installations that have a gravity drain. A reverse osmosis system is not recommended for ice makers that have a drain pump installed.
- The pressure of the water supply coming out of a reverse osmosis system going to the water inlet valve of the ice maker needs to be between 30 and 120 psi (207 and 827 kPa).

If a reverse osmosis water filtration system is connected to your cold water supply, the water pressure to the reverse osmosis system needs to be a minimum of 40 to 60 psi (276 to 414 kPa).

NOTE: The reverse osmosis system must provide 1 gal. (3.8 L) of water per hour to the ice maker for proper ice maker operation. If a reverse osmosis system is desired, only a whole-house capacity reverse osmosis system, capable of maintaining the steady water supply required by the ice maker, is recommended. Faucet capacity reverse osmosis systems are not able to maintain the steady water supply required by the ice maker.

If the water pressure to the reverse osmosis system is less than 40 to 60 psi (276 to 414 kPa):

- Check to see whether the sediment filter in the reverse osmosis system is blocked. Replace the filter if necessary.
- Allow the storage tank on the reverse osmosis system to refill after heavy usage.

If you have questions about your water pressure, call a licensed, qualified plumber.

Leveling

It is important for the ice maker to be level in order to work properly. Depending upon where you install the ice maker, you may need to make several adjustments to level it. You may also use the leveling legs to lower the height of the ice maker for undercounter installations.

Tools needed:

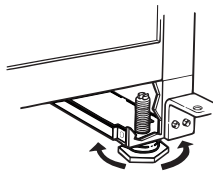
Gather the required tools and parts before starting installation.

- 9" level
- Adjustable wrench

NOTE: It is easier to adjust the leveling legs if you have another person to assist you.

1. Move the ice maker to its final location.
 - NOTE:** If this is a built-in installation, move the ice maker as close as possible to the final location.
2. Place the level on top of the product to see if the ice maker is level from front to back and side to side.
3. Push up on the top front of the ice maker, and then locate the leveling screws that are on the bottom front of the ice maker.
4. Using an adjustable wrench, change the height of the legs as follows:
 - Turn the leveling leg to the right to lower that side of the ice maker.
 - Turn the leveling leg to the left to raise that side of the ice maker.

NOTE: The ice maker should not wobble. Use shims to add stability when needed.



5. Push up on the top rear of the ice maker and locate the leveling legs that are on the bottom rear of the ice maker.
6. Follow the instructions in Step 4 to change the height of the legs.
7. Use the level to recheck the ice maker to see that it is even from front to back and side to side. If the ice maker is not level, repeat steps 2 to 5. If the ice maker is level, go to the "Connect Water Supply" section.

Connect Water Supply

Read all directions before you begin.

IMPORTANT:

- Plumbing shall be installed in accordance with the International Plumbing Code and any local codes and ordinances.
- Use copper tubing or Whirlpool supply line, Part Number 8212547RP, and check for leaks.
- Install tubing only in areas where temperatures will remain above freezing.

Tools needed:

Gather the required tools and parts before starting installation.

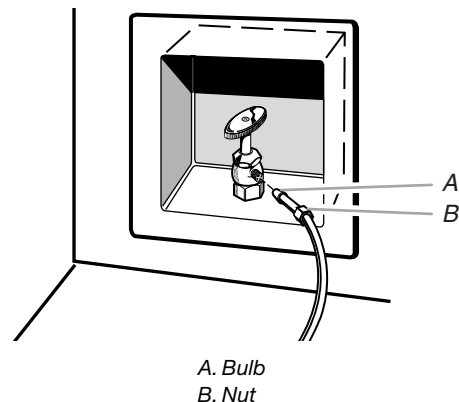
- Flat-blade screwdriver
- 7/16" and 1/2" open-end wrenches or two adjustable wrenches
- 1/4" nut driver

NOTE: Do not use a piercing-type or 3/16" (4.76 mm) saddle valve which reduces water flow and clogs more easily.

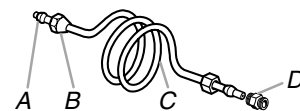
Connecting the Water Line

1. Turn off main water supply. Turn on nearest faucet long enough to clear line of water.
2. Using a 1/2" copper supply line with a quarter-turn shutoff valve or the equivalent, connect the ice maker as shown.

NOTE: To allow sufficient water flow to the ice maker a minimum 1/2" size copper supply line is recommended.



3. Now you are ready to connect the copper tubing. Use 1/4" (6.35 mm) OD soft copper tubing for the cold water supply.
 - Ensure that you have the proper length needed for the job. Be sure both ends of the copper tubing are cut square.
 - Slip compression sleeve and compression nut on copper tubing as shown. Insert end of tubing into outlet end squarely as far as it will go. Screw compression nut onto outlet end with adjustable wrench. Do not overtighten.



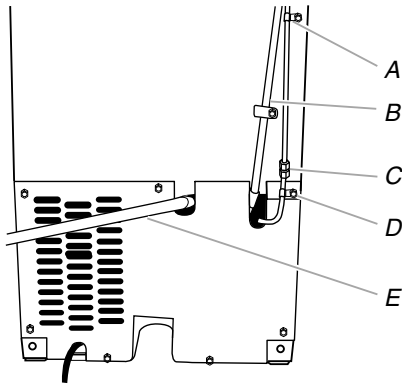
A. Compression sleeve C. Copper tubing
B. Compression nut D. Coupling (purchased)

- Place the free end of the tubing into a container or sink, and turn on main water supply and flush out tubing until water is clear. Turn off shutoff valve on the water pipe.

NOTE: Always drain the water line before making the final connection to the inlet of the water valve to avoid possible water valve malfunction.

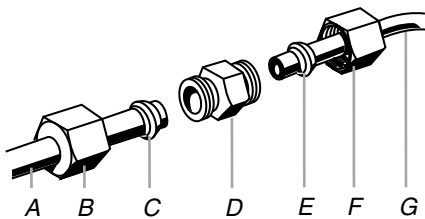
- Bend the copper tubing to meet the water line inlet which is located on the back of the ice maker cabinet as shown. Leave a coil of copper tubing to allow the ice maker to be pulled out of the cabinet or away from the wall for service.

REAR VIEW



- A. Water supply tube clamp
- B. Vent hose (drain pump models only)
- C. Water supply line
- D. Inlet water tube clamp
- E. Drain hose (drain pump models only)

- Remove and discard the short, black plastic tube from the end of the water line inlet.
 - Thread the nut onto the coupling on the end of the tubing. Tighten the nut by hand. Then tighten it with a wrench two more turns. Do not overtighten.
- NOTE:** To avoid rattling, be sure the copper tubing does not touch the cabinet's side wall or other parts inside the cabinet.



- A. Line to ice maker
- B. Nut (purchased)
- C. Ferrule (purchased)
- D. Coupling (purchased)
- E. Ferrule
- F. Nut
- G. Supplied line from ice maker

- Install the water supply tube clamp around the water supply line to reduce strain on the coupling.
- Turn shutoff valve ON.
- Check for leaks. Tighten any connections (including connections at the valve) or nuts that leak.

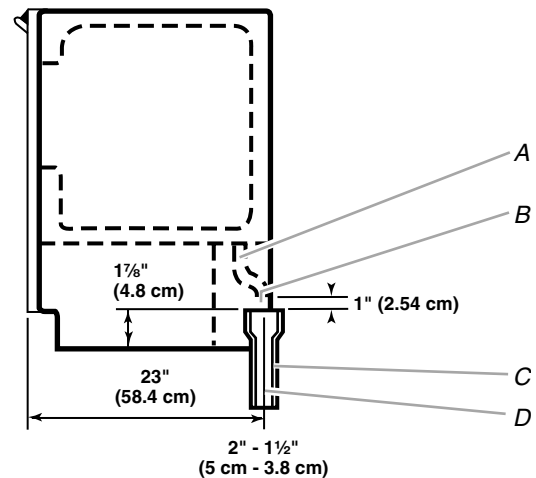
Drain Connection

Gravity Drain System

Connect the ice maker drain to your drain in accordance with all state and local codes and ordinances. If the ice maker is provided with a gravity drain system, follow these guidelines when installing drain lines. This will help keep water from flowing back into the ice maker storage bin and potentially flowing onto the floor causing water damage.

- Drain lines must have a minimum of $\frac{5}{8}$ " (15.88 mm) inside diameter.
- Drain lines must have a 1" drop per 48" (2.54 cm drop per 122 cm) of run or $\frac{1}{4}$ " drop per 12" (6.35 mm per 30.48 cm) of run and must not have low points where water can settle.
- The floor drains must be large enough to accommodate drainage from all drains.
- The ideal installation has a standpipe with a $1\frac{1}{2}$ " (3.81 cm) to 2" (5.08 cm) PVC drain reducer installed directly below the outlet of the drain tube as shown. You must maintain a 1" (2.54 cm) air gap between the drain hose and the standpipe.
- It may be desirable to insulate the drain line thoroughly up to the drain inlet.

SIDE VIEW



- A. Drain hose
- B. 1" (2.54 cm) air gap
- C. PVC drain reducer
- D. Center of drain should be 23" (58.4 cm) from front of door, with or without the $\frac{3}{4}$ " (1.91 cm) panel on the door. The drain should also be centered from left to right ($7\frac{5}{8}$ " [18.56 cm] from either side of the ice maker).

Drain Pump System (on some models)

Connect the ice maker drain to your drain in accordance with the International Plumbing Code and any local codes and ordinances.

NOTE: If the drain hose becomes twisted and water cannot drain, your ice maker will not work.

Connecting the Drain

After ensuring that the drain system is adequate, follow these steps to properly place the ice maker:

⚠ WARNING



Electrical Shock Hazard

Plug into a grounded 3 prong outlet.

Do not remove ground prong.

Do not use an adapter.

Do not use an extension cord.

Failure to follow these instructions can result in death, fire, or electrical shock.

1. Plug ice maker into a grounded 3 prong outlet.

⚠ WARNING

Excessive Weight Hazard

Use two or more people to move and install ice maker.

Failure to do so can result in back or other injury.

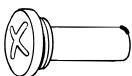
2. **Style 1** - For gravity drain system, push the ice maker into position so that the ice maker drain tube is positioned over the PVC drain reducer. See "Gravity Drain System" earlier in this section. **Style 2** - For drain pump system connect the drain pump outlet hose to the drain. See "Drain Pump System" earlier in this section.
3. Recheck the ice maker to be sure that it is level. See "Leveling."
4. If it is required by your local sanitation code, seal the cabinet to the floor with an approved caulking compound after all water and electrical connections have been made.

Ice Maker Door

Tools needed:

Gather the required tools and parts before starting installation.

- 5/16" wrench
- Flat putty knife
- 1/4" wrench
- Phillips screwdriver



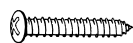
Hinge pin



5/16" Hex-head hinge screw



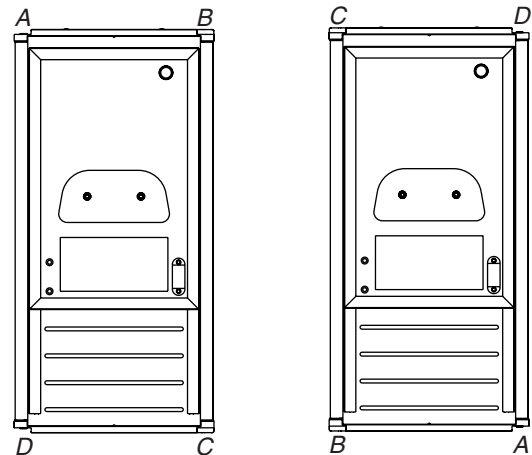
Handle screw



End Cap screw

Remove Door

1. Unplug ice maker or disconnect power.
2. Remove the handle screws and handle from the top of the door (on some models). Keep the parts together and set them aside.
3. Remove the hinge pin from the top hinge.
4. Remove the door from the hinges and screw the top hinge pin back into the top hinge.
5. Remove the door skin (on some models) as follows:
 - Remove the two screws from the top and bottom of the door skin.
 - Remove the skin and the edge protectors from the door. Keep the parts together and set them aside.
6. Reverse the door end caps as follows:
 - Remove the screw and end cap from the top corner. Move it diagonally to the opposite side's bottom corner, keeping the straight side of the end cap facing the front of the ice maker.
 - Remove the screw and end cap from the bottom corner. Move it diagonally to the opposite side's top corner, keeping the straight side of the end cap facing the front of the ice maker.



A. Top Corner Open (no end cap)

B. Beginning Top Corner End Cap

C. Beginning Bottom Corner End Cap

D. Bottom Corner Open (no end cap)

7. Place the door back into the stainless skin, keeping the edge protectors in place. Replace the two screws in the top and bottom.
8. Set the door aside.

Reverse Hinges

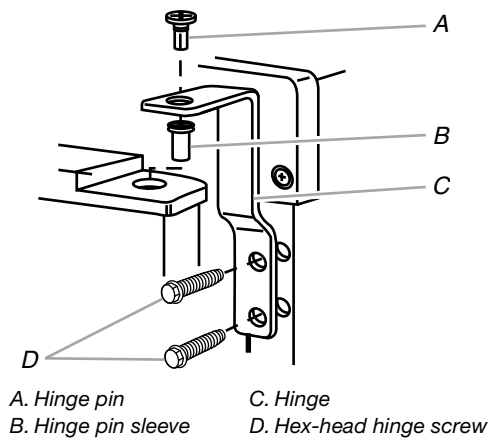
1. Unscrew and remove the top hinge. Replace the screws in the empty hinge holes.
2. Remove the screws from the bottom of the opposite side of the ice maker cabinet. Turn the top hinge upside down so that the hinge pin points up. Place the hinge on the bottom opposite side of the ice maker and tighten screws.
3. Remove the plastic hinge pin sleeve from the "old" bottom hinge and replace it on the new bottom hinge pin.
4. Remove the "old" bottom hinge screws and hinge. Replace the screws in the empty hinge holes.

- Remove the screws from the top of the opposite side of the ice maker cabinet. Turn the hinge upside down so that the hinge pin points down. Place the hinge on the top opposite side of the ice maker and tighten the screws.
- Remove the top hinge pin.

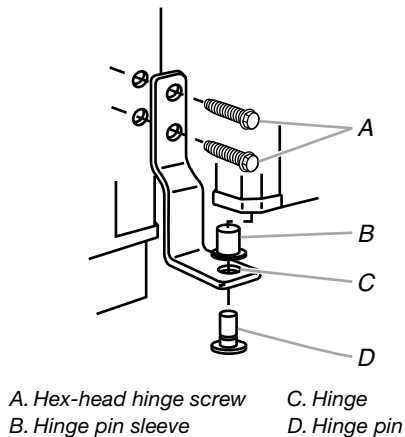
Replace Door

- Place plastic hinge pin sleeve in the top hinge hole on the door. Align the door with the top hinge hole and replace the top hinge pin.
- Replace the handle and handle screws (on some models).

Top Hinge

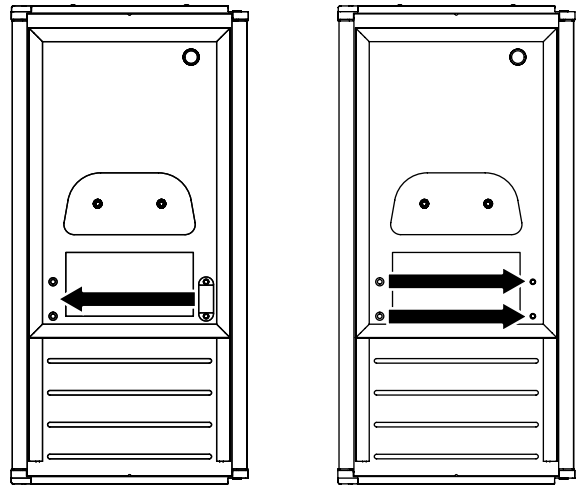


Bottom Hinge



Reverse Door Catch

- Remove the hole plugs from the opposite side of the door and set aside.
- Remove the screws from the magnetic door catch and replace it on the opposite side of the door.



- Push the hole plugs into place on the opposite side of the door.

! WARNING



Electrical Shock Hazard

Plug into a grounded 3 prong outlet.

Do not remove ground prong.

Do not use an adapter.

Do not use an extension cord.

Failure to follow these instructions can result in death, fire, or electrical shock.

- Plug into a grounded 3 prong outlet.

Normal Sounds

Your new ice maker may make sounds that are not familiar to you. Because the sounds are new to you, you might be concerned about them. Most of the new sounds are normal. Hard surfaces such as floors, walls and cabinets can make the sounds seem louder than they actually are. The following describes the kinds of sounds that might be new to you and what may be making them.

- You will hear a buzzing sound when the water valve opens to fill the water reservoir for each cycle.
- Rattling noises may come from the flow of the refrigerant or the water line. Items stored on top of the ice maker can also make noises.
- The high-efficiency compressor may make a pulsating or high pitched sound.
- Water running over the evaporator plate may make a splashing sound.
- Water running from the evaporator plate to the water reservoir may make a splashing sound.

- As each cycle ends, you may hear a gurgling sound due to the refrigerant flowing in your ice maker.
- You may hear air being forced over the condenser by the condenser fan.
- During the harvest cycle, you may hear a “thud” when the ice sheet slides from the evaporator onto the cutter grid.
- When you first start the ice maker, you may hear water running continuously. The ice maker is programmed to run a rinse cycle before it begins to make ice.

ICE MAKER USE

How Your Ice Maker Works

When you first start your ice maker, the water pan will fill and the system will rinse itself before starting to make ice. The rinsing process takes about 5 minutes.

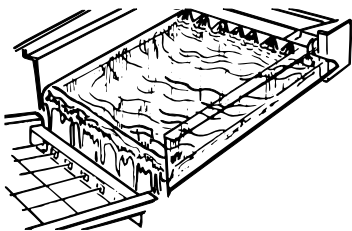
Under normal operating conditions, the ice maker will cycle at preset temperatures. The ice level sensor located in the ice storage bin will monitor the ice levels.

IMPORTANT:

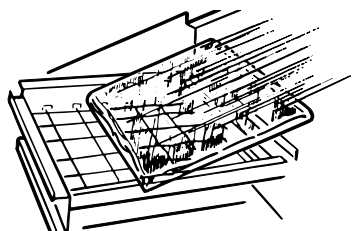
- If the water supply to the ice maker is turned off, be sure to set the ice maker control to OFF.
- The ice maker is designed to make clear ice from the majority of water sources on a daily basis. If your results are unsatisfactory, your water may need to be filtered or treated.

The Ice Making Process

1. Water is constantly circulated over a freezing plate. As the water freezes into ice, the minerals in the water are rejected. This produces a sheet of ice with a low mineral content.

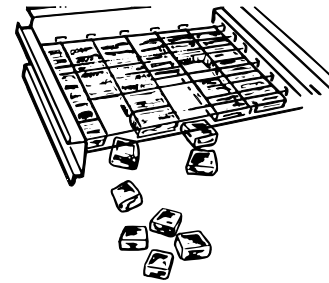


2. When the desired thickness is reached, the ice sheet is released and slides onto a cutter grid. The grid divides the sheet into individual cubes.



3. The water containing the rejected minerals is drained after each freezing cycle.
4. Fresh water enters the machine for the next ice making cycle.

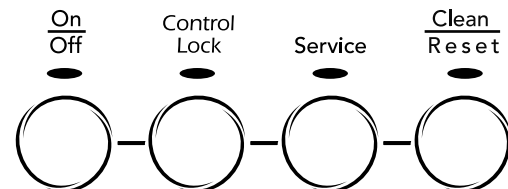
5. Cubes fall into the storage bin. When the bin is full, the ice maker shuts off automatically and restarts when more ice is needed. The ice bin is not refrigerated, and some melting will occur. The amount of melting varies with room temperature.



NOTE: As the room and water temperatures vary, so will the amount of ice produced and stored. This means that higher operating temperatures result in reduced ice production.

Using the Controls

1. To start the normal ice making cycle, press ON.
2. To stop ice maker operation, press and hold OFF.



NOTES:

- Pressing the ON/OFF switch does not shut off power to the ice maker.
- Allow 24 hours to produce the first batch of ice. Discard the first batch produced.

Control Lock

The control panel can be turned off for easy cleaning or to avoid unintentional activation by children or small pets.

NOTE: The control lock feature does not shut off power to the ice maker or to the ice maker bin light. It simply deactivates the control panel.

1. To lock the control panel, press and hold the Control Lock button until the indicator appears.
2. To unlock the control panel, press and hold the Control Lock button until the indicator disappears.

Service

The service light indicates when service is needed. If the service light turns on, turn the ice maker off and back on. If the service light turns on again, call for service.

Clean/Reset

The Cleaning/Reset Status light will help you know when it is time to clean your ice maker. The light will change to yellow. This tells you it is almost time to clean your ice maker. It is recommended that you clean the ice maker when the status light changes to red OR ice production decreases significantly. To clean your ice maker, see “Ice Maker System” in the “Cleaning” section.

ICE MAKER CARE

Cleaning

The ice making system and the air cooled condenser need to be cleaned regularly for the ice maker to operate at peak efficiency and to avoid premature failure of system components. See the “Ice Maker System” and the “Condenser” sections.

Exterior Surfaces

Wash the exterior enamel surfaces and gaskets with warm water and mild soap or detergent. Wipe and dry. Regular use of a good household appliance cleaner and wax will help maintain the finish. Do not use abrasive cleaners on enamel surfaces as they may scratch the finish.

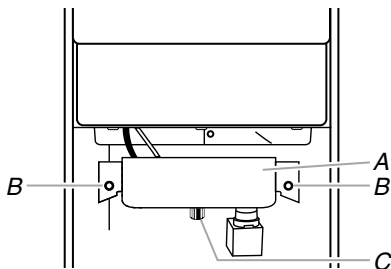
For products with a stainless steel exterior, use a clean sponge or soft cloth and a mild detergent in warm water. Do not use abrasive or harsh cleaners. Do not use chlorine bleach on the stainless steel surfaces.

Ice Maker System

Minerals that are removed from water during the freezing cycle will eventually form a hard scaly deposit in the water system. Cleaning the system regularly helps remove the mineral scale buildup. How often you need to clean the system depends upon how hard your water is. With hard water of 15 to 20 grains/gal. (4 to 5 grains/liter), you may need to clean the system as often as every 6 months.

NOTE: Use one 16 oz (473 mL) bottle of approved ice maker cleaner. To order, call **1-800-JENNAIR** and ask for Part Number 4396808. In Canada, call **1-800-807-6777**.

1. Press and hold the selector switch to OFF.
2. Wait 5 to 10 minutes for the ice to fall into the storage bin. Remove all ice from the storage bin.
3. Unscrew the drain cap from the bottom of the water pan located inside the storage bin as shown. Allow the water to drain completely.
4. Replace the drain cap securely on the water pan. If the drain cap is loose, water will empty from the water pan and you will have either thin ice or no ice.
5. Read and follow all handling information on the cleaner bottle before completing the steps below. Use one 16 oz (473 mL) bottle of approved ice maker cleaner.
6. Pour one bottle of solution into the water pan. Fill the bottle twice with tap water and pour it into the water pan.



A. Water pan
B. Water pan thumb screws
C. Drain cap

7. Press and hold the CLEAN button. See “Using the Controls.” The light will blink, indicating that the cleaning cycle is in process. When the indicator light turns green (approximately 70 minutes), the cleaning cycle is complete. During the cleaning cycle, the system will both clean and rinse itself.
8. After the cleaning cycle is complete, remove the drain cap from the water pan. Look for any cleaning solution left in the water pan. If cleaning solution drains from the water pan, you should run the clean cycle again. Be sure to replace the drain cap securely on the water pan. If the drain cap is loose, water will empty from the water pan and you will have either thin ice or no ice.

NOTE: Severe scale buildup may require repeated cleaning with a fresh quantity of cleaning solution.

9. Push the selector switch to ON to resume ice production.

Condenser

A dirty or clogged condenser:

- Obstructs proper airflow.
- Reduces ice making capacity.
- Causes higher than recommended operating temperatures which may lead to component failure.

⚠ WARNING



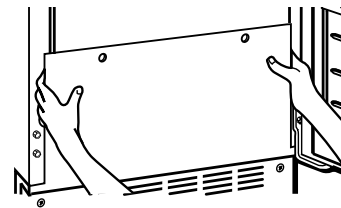
Electrical Shock Hazard

Disconnect power before cleaning.

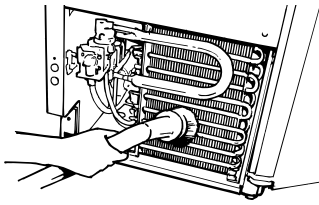
Replace all parts and panels before operating.

Failure to do so can result in death or electrical shock.

1. Unplug ice maker or disconnect power.
2. Remove the two screws in the lower access panel and the two screws from the base grille area of the front panel support.
3. Pull the bottom forward and then pull down to remove the lower access panel.



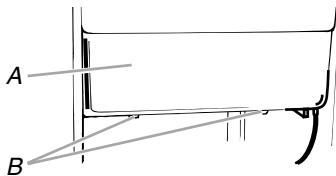
- Remove dirt and lint from the condenser fins and the unit compartment with a brush attachment on a vacuum cleaner.



- Replace the lower access panel using the four screws.
- Plug in ice maker or reconnect power.

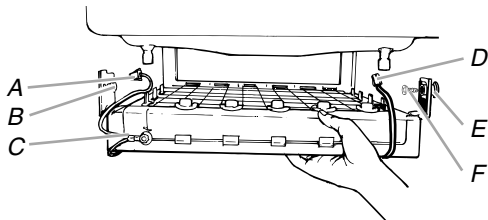
Interior Components

- Unplug ice maker or disconnect power.
- Open the storage bin door and remove any ice that is in the bin.
- Remove the drain cap from the water pan and drain thoroughly. Replace the drain cap securely on the water pan. If the drain cap is loose, water will empty from the water pan, and you will have either thin ice or no ice.
- Remove the two screws that hold the cutter grid cover in place and remove the cutter grid cover.
- Unplug the wiring harness from the left side of the cutter grid.



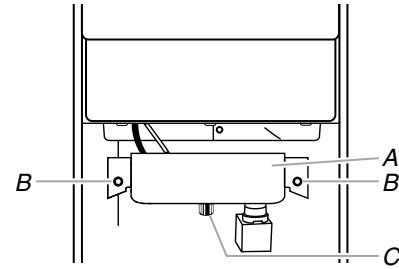
A. Cutter grid cover
B. Screws

- Unplug the ice level sensor from the right side of the cutter grid. Pull the ice level sensor down and forward away from the cutter grid.
- Remove the right-hand and left-hand screws. Lift the cutter grid up and out.
NOTE: Make sure the plastic spacer from the right-hand side of the cutter grid bracket stays with the cutter grid.



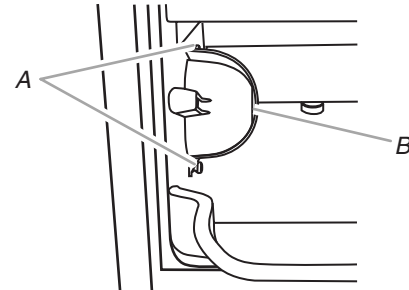
A. Cutter grid harness
B. Screw
C. Cutter grid
D. Ice level sensor harness
E. Plastic spacer
F. Screw

- Remove the two thumb screws that hold the water pan in place. Push down with one hand on the front of the pan while pulling forward on the bottom back side.



A. Water pan
B. Water pan thumb screws
C. Drain cap

- Remove, clean and replace the ice scoop and ice scoop holder.
 - After removing the ice scoop, remove the holder by removing the two thumb screws.
 - Wash the ice scoop holder along with the other interior components using the following instructions.
 - Replace the ice scoop holder by replacing the thumb screws.



A. Thumb screw
B. Ice scoop holder

- Wash the interior components (cutter grid, exterior of hoses, and water pan) and the storage bin, door gasket, ice scoop, and ice scoop holder with mild soap or detergent and warm water. Rinse in clean water. Then clean the same parts with a solution of 1 tbs (15 mL) of household bleach in 1 gal. (3.8 L) warm water. Rinse again thoroughly in clean water.

NOTE: Do not remove hoses. Do not wash plastic parts in dishwasher. They cannot withstand temperatures above 145°F (63°C).

- Replace water pan by pushing back on the bottom with one hand while pushing up and back on the top. Secure the water pan by replacing both screws.
- Check the following:
 - Drain cap from the water pan is securely in place. If the drain cap is loose, water will empty from the water pan, and you will have either thin ice or no ice.
 - Hose from water pan is inserted into storage bin drain opening.
- Slide the cutter grid back into place and secure it by replacing the right-hand screw and plastic spacer. Then tighten the left-hand screw. Reconnect the cutter grid harness and the ice level sensor harness.
- Replace the cutter grid cover and the two screws.
- Plug in ice maker or reconnect power.

Vacation and Moving Care

! WARNING



Electrical Shock Hazard

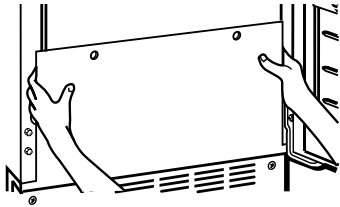
Disconnect power before servicing.

Replace all parts and panels before operating.

Failure to do so can result in death or electrical shock.

To shut down the ice maker:

1. Unplug ice maker or disconnect power.
2. Remove all ice from storage bin.
3. Shut off the water supply.
4. Remove the two screws in the lower access panel and the two screws from the base grille area of the front panel support. Pull forward to remove the lower access panel.



5. Disconnect the inlet and outlet lines to water valve. Allow these lines to drain and then reconnect to the valve.
6. Replace lower access panel and screws.
7. Drain water from water pan by removing the drain cap.
8. If the room temperature will drop below 32°F (0°C), water must be removed from the drain line.

For ice makers with a drain pump installed:

- Plug in ice maker or reconnect power.
 - Turn ice maker off and remove all remaining ice from ice bin.
 - Pour 1 qt (0.95 L) of water into the ice bin near the drain and let the unit stand for approximately 5 minutes. This will allow the water in the bin to drain into the drain pump so that the pump will remove the remaining water from the ice bin and the drain pump.
 - Unplug ice maker or disconnect power.
9. Before using again, clean the ice maker and storage bin.
 10. Plug into a grounded 3 prong outlet.

NOTE: All components of the ice maker are permanently lubricated at the factory. They should not require any additional oiling throughout the normal life of the machine.

TROUBLESHOOTING

Try the solutions suggested here first in order to avoid the cost of an unnecessary service call.

Ice Maker Operation

Your ice maker will not operate

⚠ WARNING



Electrical Shock Hazard

Plug into a grounded 3 prong outlet.

Do not remove ground prong.

Do not use an adapter.

Do not use an extension cord.

Failure to follow these instructions can result in death, fire, or electrical shock.

- **Is the power cord plugged in?** Plug into a grounded 3 prong outlet.
- **Is the control set to ON?** Be sure that the control is set to ON.
- **Has a household fuse blown, or has a circuit breaker tripped?** Replace the fuse or reset the circuit breaker. If the problem continues, call an electrician.
- **Is the room temperature cooler than normal?** Room temperature must be above 55°F (13°C). Otherwise, bin thermostat may sense cold room temperature and shut off even though the bin is not full of ice. Also, unit may not restart once it does shut off.
- **Does the green light come on when the Clean button is pushed?** The ice maker is receiving power but may need cleaning. See “Cleaning.”
- **Does the ice maker have a drain pump?** If there was a large amount of water added to the ice maker, wait a few minutes for the drain pump to clear. If there is still water in the bin, check to see whether the drain hose is kinked.

Ice maker seems noisy

- **Is water being circulated through the ice maker?** This is normal operation. Water is added once per ice-making cycle.
- **Is the water in the reservoir overflowing?** This is normal. This overflow helps to purge minerals that were removed from the water during the ice making process.
- **Is there a “whooshing” sound?** Check the following things:
 - Make sure that the water supply is hooked up and turned on.
 - Make sure that the drain cap is tight and the water drain pan pump is securely attached to the water pan.

- **Is there ice between the evaporator plate and the cutting grid?** Check that the ice maker is level. See “Leveling.” If the ice maker is level, and the problem persists, run a cleaning cycle. See “Cleaning.”

Ice Production

Ice maker runs but produces no ice

- **Is the control set to ON?** Be sure that the control is set to ON.
- **Is the water supply connected?** Make sure the water supply is properly connected and turned on.
- **Is the drain cap securely in place?** If the drain cap is loose, water will empty from the water pan, and you will have either thin ice or no ice. Tighten the drain cap.
- **Is there debris in the drain tube?** Clean the drain tube.
- **Is there a kink in the drain line?** Be sure that there are no kinks in the line.
- **Is the service light flashing on and off continually?** Call for service.

Ice maker runs but produces very little ice

- **Is the room temperature hotter than normal?** Room temperatures of more than 90°F (32°C) will normally reduce ice production.

⚠ WARNING



Electrical Shock Hazard

Disconnect power before servicing.

Replace all parts and panels before operating.

Failure to do so can result in death or electrical shock.

- **Is the condenser dirty?** Dirt or lint may be blocking the airflow through the condenser. See “Condenser” in the “Cleaning” section.
- **Is there scale buildup in the ice maker?** If there is white scale buildup in the ice maker’s water or freezing system, you should clean the ice maker. See “Interior Components” in the “Cleaning” section.
- **Is the drain cap securely in place?** If the drain cap is loose, water will empty from the water pan, and you will have either thin ice or no ice. Tighten the drain cap if it is loose.

Grid is not cutting ice sheets

- **Is the cutter grid securely in place?** Check the cutter grid harness plug to make sure the connection is intact. See “Interior Components” section of “Cleaning” for instructions on cutter grid removal.

Ice Quality

Off taste, odor or gray color in the ice

- **Is there unusually high mineral content in the water supply?** The water may need to be filtered or treated.
- **Is there mineral scale buildup?** Clean your ice maker. See “Ice Maker System” in the “Cleaning” section.
- **Are there food items stored in the ice bin?** Do not store any foods in the ice bin.
- **Were all the packaging materials removed?** Make sure that all packaging materials were removed at the time of installation.

Thin, soft or clumps of ice

- **Is there unusually high mineral content in the water supply?** The water may need to be filtered or treated.
- **Is there mineral scale buildup?** Clean your ice maker. See “Ice Maker System” in the “Cleaning” section.
- **Are there clumps of ice in the bin?** If ice is not used regularly it will melt and form clumps. Break the clumps with the ice scoop provided.

Plumbing Problems

WARNING

Excessive Weight Hazard

Use two or more people to move and install ice maker. Failure to do so can result in back or other injury.

- **Is the drain hose aligned over the drain?** Move the ice maker to align the drain. See “Connect Water Supply.”

NOTE: Service technicians cannot repair plumbing problems outside of the ice maker. Call a licensed, qualified plumber.

ASSISTANCE OR SERVICE

Before calling for assistance or service, please check “Troubleshooting.” It may save you the cost of a service call. If you still need help, follow the instructions below.

When calling, please know the purchase date and the complete model and serial number of your appliance. This information will help us to better respond to your request.

In the U.S.A.

If the problem is not due to one of the items listed in the “Troubleshooting” section...

Call the dealer from whom your appliance was purchased, or call Jenn-Air at **1-800-JENNAIR (1-800-536-6247)** to locate an authorized service company. When calling, please know the purchase date and the complete model and serial number of your appliance. Be sure to retain proof of purchase to verify warranty status.

If the dealer or service company cannot resolve your problem, write to:

**Jenn-Air Brand Home Appliances
Customer eXperience Center
553 Benson Road
Benton Harbor, MI 49022-2692
Web address: www.jennair.com**

Or call: **1-800-JENNAIR (1-800-536-6247)**.

U.S. customers using TTY for deaf, hearing impaired or speech impaired, call: **1-800-688-2080** (Monday - Friday, 8:00 a.m. - 8:00 p.m. Eastern Time).

NOTE: When writing or calling about a service problem, please include the following information:

1. Your name, address and daytime telephone number.
2. Appliance model number and serial number.
3. Name and address of your dealer or servicer.

4. A clear description of the problem you are having.
5. Proof of purchase (sales receipt).

User’s guides, service manuals and parts information are available from Jenn-Air Brand Home Appliances, Customer eXperience Center.

In Canada

If the problem is not due to one of the items listed in the “Troubleshooting” section...

Call the dealer from whom your appliance was purchased, or call Jenn-Air at **1-800-807-6777** to locate an authorized service company. When calling, please know the purchase date and the complete model and serial number of your appliance. Be sure to retain proof of purchase to verify warranty status.

If the dealer or service company cannot resolve your problem, write to:

**Jenn-Air Brand Home Appliances
Customer eXperience Centre
1901 Minnesota Court
Mississauga, ON L5N 3A7
Web address: www.jennair.ca**

Or call: **1-800-807-6777**.

NOTE: When writing or calling about a service problem, please include the following information:

1. Your name, address and daytime telephone number.
2. Appliance model number and serial number.
3. Name and address of your dealer or servicer.
4. A clear description of the problem you are having.
5. Proof of purchase (sales receipt).

User’s guides, service manuals and parts information are available from Jenn-Air Brand Home Appliances, Customer eXperience Centre.

JENN-AIR™ ICE MAKER WARRANTY

ONE YEAR LIMITED WARRANTY

For one year from the date of purchase, when this major appliance is operated and maintained according to instructions attached to or furnished with the product, Jenn-Air brand of Whirlpool Corporation or Whirlpool Canada LP (hereafter "Jenn-Air") will pay for factory specified replacement parts and repair labor to correct defects in materials or workmanship. Service must be provided by a Jenn-Air designated service company.

SECOND THROUGH FIFTH YEAR LIMITED WARRANTY ON SEALED REFRIGERATION SYSTEM PARTS

In second through fifth years from the date of purchase, when this product is operated in a residential setting, and is maintained according to the instructions furnished with the product, Jenn-Air will pay for replacement parts and repair labor costs to correct defects in materials or workmanship in the sealed refrigeration system. These parts are compressor, evaporator, condenser, dryer/strainer, and connecting tubing. Service must be performed by a Jenn-Air designated service company.

ITEMS JENN-AIR WILL NOT PAY FOR

1. Service calls to correct the installation of your major appliance, to instruct you how to use your major appliance, to replace or repair house fuses or to correct house wiring or plumbing.
 2. Service calls to repair or replace appliance light bulbs, air filters or water filters. Those consumable parts are excluded from warranty coverage.
 3. Repairs when your major appliance is used for other than normal, single-family household use.
 4. Damage resulting from accident, alteration, misuse, abuse, fire, flood, acts of God, improper installation, installation not in accordance with electrical or plumbing codes, or use of products not approved by Jenn-Air.
 5. Any food loss due to refrigerator or freezer product failures.
 6. Replacement parts or repair labor costs for units operated outside the United States or Canada.
 7. Pickup and delivery. This major appliance is designed to be repaired in the home.
 8. Repairs to parts or systems resulting from unauthorized modifications made to the appliance.
 9. Expenses for travel and transportation for product service in remote locations.
 10. The removal and reinstallation of your appliance if it is installed in an inaccessible location or is not installed in accordance with published installation instructions.
-

DISCLAIMER OF IMPLIED WARRANTIES; LIMITATION OF REMEDIES

CUSTOMER'S SOLE AND EXCLUSIVE REMEDY UNDER THIS LIMITED WARRANTY SHALL BE PRODUCT REPAIR AS PROVIDED HEREIN. IMPLIED WARRANTIES, INCLUDING WARRANTIES OF MERCHANTABILITY OR FITNESS FOR A PARTICULAR PURPOSE, ARE LIMITED TO ONE YEAR OR THE SHORTEST PERIOD ALLOWED BY LAW. JENNAIR SHALL NOT BE LIABLE FOR INCIDENTAL OR CONSEQUENTIAL DAMAGES. SOME STATES AND PROVINCES DO NOT ALLOW THE EXCLUSION OR LIMITATION OF INCIDENTAL OR CONSEQUENTIAL DAMAGES, OR LIMITATIONS ON THE DURATION OF IMPLIED WARRANTIES OF MERCHANTABILITY OR FITNESS, SO THESE EXCLUSIONS OR LIMITATIONS MAY NOT APPLY TO YOU. THIS WARRANTY GIVES YOU SPECIFIC LEGAL RIGHTS AND YOU MAY ALSO HAVE OTHER RIGHTS, WHICH VARY FROM STATE TO STATE OR PROVINCE TO PROVINCE.

Outside the 50 United States and Canada, this warranty does not apply. Contact your authorized Jenn-Air dealer to determine if another warranty applies.

If you need service, first see the "Troubleshooting" section of the Use & Care Guide. After checking "Troubleshooting," additional help can be found by checking the "Assistance or Service" section or by calling Jenn-Air. In the U.S.A., call **1-800-JENNAIR (1-800-536-6247)**. In Canada, call **1-800-807-6777**.

8/07

Keep this book and your sales slip together for future reference. You must provide proof of purchase or installation date for in-warranty service.

Write down the following information about your major appliance to better help you obtain assistance or service if you ever need it. You will need to know your complete model number and serial number. You can find this information on the model and serial number label located on the product.

Dealer name _____

Address _____

Phone number _____

Model number _____

Serial number _____

Purchase date _____

SEGURIDAD DE LA FÁBRICA DE HIELO

Su seguridad y la seguridad de los demás es muy importante.

Hemos incluido muchos mensajes importantes de seguridad en este manual y en su electrodoméstico. Lea y obedezca siempre todos los mensajes de seguridad.



Este es el símbolo de advertencia de seguridad.

Este símbolo le llama la atención sobre peligros potenciales que pueden ocasionar la muerte o una lesión a usted y a los demás.

Todos los mensajes de seguridad irán a continuación del símbolo de advertencia de seguridad y de la palabra "PELIGRO" o "ADVERTENCIA". Estas palabras significan:

 **PELIGRO**

Si no sigue las instrucciones de inmediato, usted puede morir o sufrir una lesión grave.

 **ADVERTENCIA**

Si no sigue las instrucciones, usted puede morir o sufrir una lesión grave.

Todos los mensajes de seguridad le dirán el peligro potencial, le dirán cómo reducir las posibilidades de sufrir una lesión y lo que puede suceder si no se siguen las instrucciones.

INSTRUCCIONES IMPORTANTES DE SEGURIDAD

ADVERTENCIA: Para reducir el riesgo de incendio, choque eléctrico o lesiones personales al usar la fábrica de hielo, siga estas precauciones básicas:

- Conecte a un contacto de pared de conexión a tierra de 3 terminales.
- No quite el terminal de conexión a tierra.
- No use un adaptador.
- No use un cable eléctrico de extensión.
- Desconecte el suministro de energía antes de limpiarlo.
- Desconecte el suministro de energía antes de darle servicio.
- Vuelva a colocar todos los componentes y paneles antes de hacerlo funcionar.
- Use dos o más personas para mover e instalar la fábrica de hielo.

GUARDE ESTAS INSTRUCCIONES

INSTRUCCIONES DE INSTALACIÓN

Desempaque la fábrica de hielo

 **ADVERTENCIA**

Peligro de Peso Excesivo

Use dos o más personas para mover e instalar la fábrica de hielo.

No seguir esta instrucción puede ocasionar una lesión en la espalda u otro tipo de lesiones.

- No use instrumentos filosos, alcohol para fricciones, líquidos inflamables, o productos de limpieza abrasivos para eliminar los restos de cinta o goma. No use blanqueador con cloro en las superficies de acero inoxidable de la fábrica de hielo. Estos productos pueden dañar la superficie de la fábrica de hielo.

Limpeza antes del uso

Luego de quitar todos los materiales de empaque, limpie el interior de su fábrica de hielo antes de usarla. Consulte las instrucciones de limpieza en la sección "Cuidado de su fábrica de hielo".

Cómo quitar los materiales de empaque

Quite las cintas y la goma de su fábrica de hielo antes de usarla.

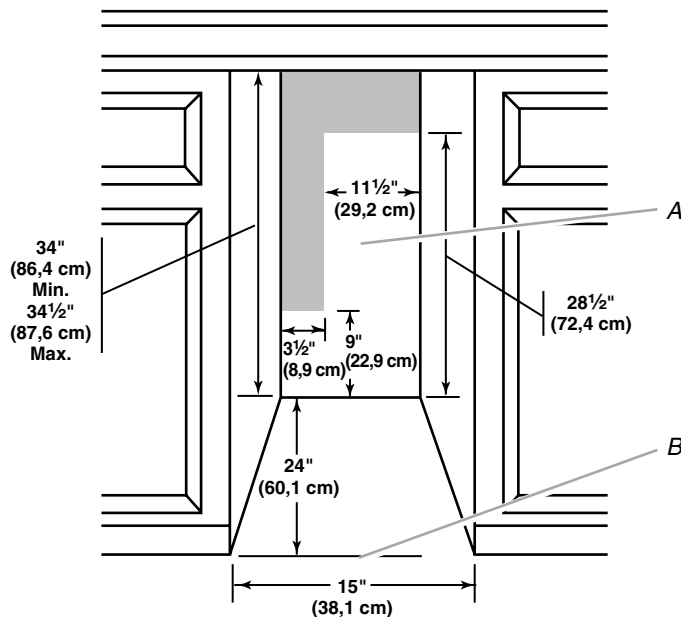
- Para eliminar los residuos de cinta o goma del exterior de la fábrica de hielo, frote el área enérgicamente con su dedo pulgar. Los residuos de la cinta adhesiva o goma también pueden quitarse frotando un poco de detergente líquido para vajillas con los dedos. Limpie con agua tibia y seque.

Requisitos de ubicación

- Para asegurar la ventilación adecuada de su fábrica de hielo, la parte del frente debe mantenerse completamente libre de obstrucciones. La parte superior y los tres lados de la fábrica de hielo pueden estar cerrados, pero la instalación debe ser hecha de manera que la fábrica de hielo pueda ser movida hacia adelante para hacerle el servicio, si fuera necesario.
- La instalación de la fábrica de hielo requiere una entrada de suministro de agua fría con tubería de cobre blando de 1/4" (6,35 mm) de diámetro exterior y una válvula de cierre, así como también un sistema de desagüe por gravedad o una bomba condensadora para llevar el agua a un desagüe ya existente.
- Elija un área bien ventilada con temperaturas por encima de los 55°F (13°C) y por debajo de los 110°F (43°C). Los mejores resultados se logran con temperaturas que oscilan entre 70°F (21°C) y 90°F (32°C).
- Esta unidad debe ser instalada en un área protegida de las inclemencias del tiempo, tales como el viento, lluvia, rocío de agua o goteos.
- Cuando instale la fábrica de hielo debajo de un mostrador, siga las dimensiones de abertura recomendadas que se ilustran a continuación. Coloque accesorios eléctricos o de plomería en la ubicación recomendada como se indica.

NOTAS:

- Asegúrese de que el cable de alimentación eléctrica no esté prensado entre la fábrica de hielo y el armario.
- Asegúrese de que la línea de suministro de agua no esté prensada entre la fábrica de hielo y el armario.
- Asegúrese de que la línea de desagüe (en algunos modelos) no esté prensada entre la fábrica de hielo y el armario.



A. Ubicación recomendada para accesorios eléctricos y de plomería.
B. Nivel del piso

- Elija una ubicación donde el piso esté nivelado. Es importante que la fábrica de hielo esté nivelada para su funcionamiento adecuado. De ser necesario, usted puede regular la altura de la fábrica de hielo cambiando la altura de las patas niveladoras. Consulte la sección "Nivelación".

Requisitos eléctricos

⚠ ADVERTENCIA



Peligro de Choque Eléctrico

Conecte a un contacto de pared de conexión a tierra de 3 terminales.

No quite la terminal de conexión a tierra.

No use un adaptador.

No use un cable eléctrico de extensión.

No seguir estas instrucciones puede ocasionar la muerte, incendio o choque eléctrico.

Antes de trasladar la fábrica de hielo a su ubicación final, es importante cerciorarse de que tenga la conexión eléctrica apropiada:

Se requiere un circuito de suministro eléctrico con fusibles de 15 ó 20 Amp., de 115 V, 60 Hz, de CA solamente, conectado adecuadamente a tierra de acuerdo con el Código Nacional de Electricidad y con las normas y códigos locales.

Se recomienda tener un circuito separado que sirva sólo para la fábrica de hielo. Use un contacto que no pueda ser desconectado con un interruptor o con una cadenilla de tiro.

IMPORTANTE: Si este producto está conectado a un tomacorriente equipado con GFCI (Ground Fault Circuit Interrupter - Interruptor de circuito de falla eléctrica de puesta a tierra), puede ocurrir un disparo brusco del suministro de corriente, lo que resultará en una pérdida de enfriamiento. Esto puede afectar la calidad del hielo. Si ha ocurrido un disparo brusco, y el hielo aparenta estar en malas condiciones, deshágase del mismo.

Método recomendado para la conexión a tierra

Este electrodoméstico debe ser conectado a tierra. Este electrodoméstico está equipado con un cable eléctrico provisto de un enchufe de tres terminales conectado a tierra. El cable debe ser enchufado en un contacto apropiado de pared de tres terminales, conectado a tierra de acuerdo con el Código Nacional de Electricidad y con los códigos y normas locales. Si no hubiera un contacto de pared adecuado, el cliente tiene la responsabilidad de contratar a un electricista calificado para instalar un contacto de pared apropiado de tres terminales con conexión a tierra.

Requisitos del suministro de agua

Se necesita un suministro de agua fría con presión de agua entre 30 y 120 lbs/pulg² (207 a 827 kPa) para hacer funcionar la fábrica de hielo. Si usted tiene preguntas acerca de la presión de agua, llame a un plomero competente autorizado.

Suministro de agua de ósmosis inversa

IMPORTANTE:

- Los sistemas de filtración de agua por ósmosis inversa pueden usarse solamente con las instalaciones de fábrica de hielo que tengan un desagüe por gravedad. No se recomienda un sistema de ósmosis inversa para las fábricas de hielo que tengan instalada una bomba de desagüe.
- La presión del suministro de agua que sale de un sistema de ósmosis inversa y va a la válvula de entrada de agua de la fábrica de hielo necesitará ser entre 30 y 120 lbs/pulg² (207 a 827 kPa).

Si se conecta un sistema de filtración de agua de ósmosis inversa al suministro de agua fría, la presión de agua al sistema de ósmosis inversa necesitará ser de un mínimo de 40 a 60 lbs/pulg² (276 a 414 kPa).

NOTA: El sistema de ósmosis inversa debe suministrar 1 galón (3,8 L) de agua por hora a la fábrica de hielo para que ésta funcione adecuadamente. Si se desea un sistema de ósmosis inversa, se recomienda solamente un sistema de ósmosis inversa con capacidad para toda la casa, que sea capaz de mantener el suministro continuo de agua requerido por la fábrica de hielo. Los sistemas de ósmosis inversa con capacidad adecuada para grifos no pueden mantener el suministro continuo de agua requerido por la fábrica de hielo.

Si la presión del agua del sistema de ósmosis inversa es menor de 40 a 60 lbs/pulg² (276 a 414 kPa):

- Verifique si el filtro de sedimentos en el sistema de ósmosis inversa está bloqueado y reemplácelo si fuera necesario.
- Deje que se vuelva a llenar el tanque de almacenaje del sistema de ósmosis inversa después del uso intenso.

Si tiene preguntas acerca de la presión del agua, llame a un plomero competente autorizado.

Nivelación

Es importante que la fábrica de hielo esté nivelada para que funcione adecuadamente. Dependiendo del lugar donde instale la fábrica de hielo, puede necesitar hacer varios ajustes para nivelarla. También puede usar las patas niveladoras para reducir la altura de la fábrica de hielo para las instalaciones debajo de mostradores.

Herramientas necesarias:

Reúna las herramientas y piezas necesarias antes de comenzar la instalación.

- Nivel de 9"
- Llave de tuercas ajustable

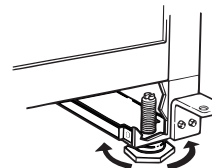
NOTA: Es más fácil ajustar las patas niveladoras si tiene otra persona para ayudarlo.

1. Mueva la fábrica de hielo a su ubicación final.

NOTA: Si ésta es una instalación empotrada, mueva la fábrica de hielo tan cerca de su ubicación final como sea posible.

2. Coloque el nivel en la parte superior del producto para ver si la fábrica de hielo está nivelada desde adelante hacia atrás y de lado a lado.
3. Empuje hacia arriba en la parte superior frontal de la fábrica de hielo y luego localice los tornillos niveladores que se encuentran en la parte inferior frontal de la fábrica de hielo.
4. Usando una llave de tuercas ajustable, cambie la altura de las patas de la siguiente manera:
 - Gire la pata niveladora hacia la derecha para bajar ese lado de la fábrica de hielo.
 - Gire la pata niveladora hacia la izquierda para levantar ese lado de la fábrica de hielo.

NOTA: La fábrica de hielo no debe tambalearse. Use calzas para agregarle estabilidad cuando sea necesario.



5. Empuje hacia arriba en la parte superior trasera de la fábrica de hielo y localice las patas niveladoras que se encuentran en la parte inferior trasera de la fábrica de hielo.
 6. Siga las instrucciones del paso 4 para cambiar la altura de las patas.
 7. Use el nivel para volver a verificar la fábrica de hielo y ver si está nivelada desde adelante hacia atrás y de lado a lado. Si la fábrica de hielo no está nivelada, repita los pasos del 2 al 5. Si la fábrica de hielo está nivelada, proceda a la sección "Conexión del suministro de agua".
-

Conexión del suministro de agua

Lea todas las instrucciones antes de comenzar.

IMPORTANTE:

- Todas las instalaciones de plomería deben efectuarse de conformidad con el Código de plomería internacional y los códigos y ordenanzas de plomería locales.
- Use tubería de cobre o una línea de suministro de Whirlpool, Pieza número 8212547RP y revise si hay fugas.
- Instale la tubería sólo en áreas donde las temperaturas permanezcan encima del punto de congelación.

Herramientas necesarias:

Reúna las herramientas y piezas necesarias antes de comenzar la instalación.

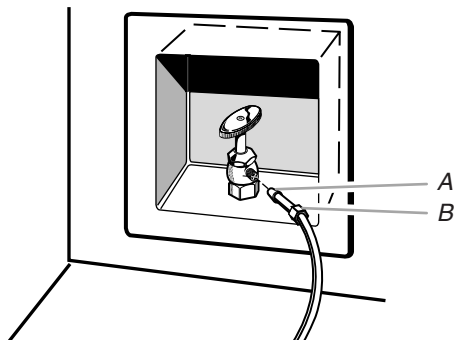
- Destornillador de hoja plana
- Llaves de extremo abierto de 7/16" y 1/2" o dos llaves de tuercas ajustables
- Llave de tuercas de 1/4"

NOTA: No use válvulas del tipo perforado o de montura de 3/16" (4,76 mm), las cuales reducen el flujo de agua y se obstruyen con mayor facilidad.

Conexión de la tubería de agua

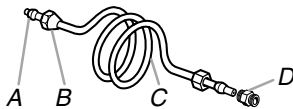
1. Cierre el suministro principal del agua. Abra el grifo más cercano el tiempo suficiente para limpiar la tubería del agua.
2. Usando una línea de suministro de cobre de ½" con una válvula de cierre de un cuarto de vuelta o una equivalente, conecte la fábrica de hielo a la tubería existente, como se muestra.

NOTA: Para permitir que haya suficiente flujo de agua hacia la fábrica de hielo, se recomienda usar una línea de suministro de ½" como mínimo.



A. Bulbo
B. Tuerca

3. Ahora está listo para conectar la tubería de cobre. Use una tubería de cobre blando de ¼" (6,35 mm) de diámetro exterior para el suministro de agua fría.
 - Asegúrese de tener la longitud adecuada necesaria para el trabajo. Cerciórese de que ambos extremos de la tubería de cobre estén cortados en ángulo recto.
 - Deslice la manga de compresión y la tuerca de compresión en la tubería de cobre según se ilustra. Introduzca el extremo de la tubería en el extremo de salida en ángulo recto hasta donde sea posible. Atornille la tuerca de compresión con el extremo de salida usando la llave de tuercas ajustable. No ajuste demasiado.



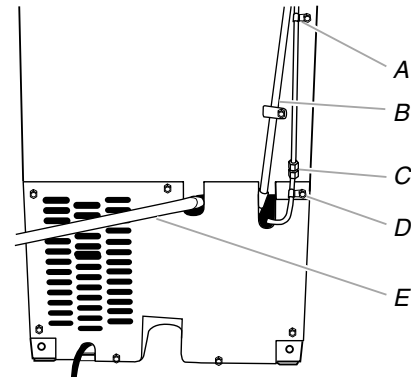
A. Manga de compresión
B. Tuerca de compresión
C. Tubería de cobre
D. Acoplamiento (comprado)

4. Coloque el extremo libre de la tubería en un recipiente o un fregadero, y abra el suministro principal del agua y deje correr el agua por la tubería hasta que el agua salga limpia. Cierre la válvula de cierre del tubo de agua.

NOTA: Siempre desagüe la tubería de agua antes de efectuar la conexión final al orificio de entrada de la válvula de agua para evitar un probable mal funcionamiento de la válvula de agua.

5. Doble la tubería de cobre para poder encajarla en el orificio de entrada de agua, que está ubicado en la parte trasera de la carcasa de la fábrica de hielo, según se ilustra. Deje un serpentín de tubería de cobre para permitir sacar la fábrica de hielo del armario o lejos de la pared para el servicio.

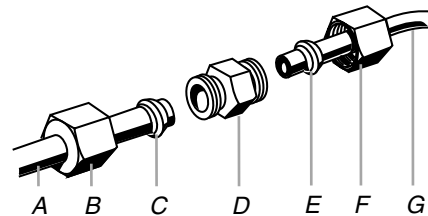
VISTA POSTERIOR



A. Abrazadera para la tubería del suministro de agua
B. Manguera de ventilación (en modelos con bomba de desagüe solamente)
C. Línea de suministro de agua
D. Abrazadera para el tubo de entrada de agua
E. Manguera de desagüe (en modelos con bomba de desagüe solamente)

6. Quite y deseche el tubo corto negro de plástico del extremo de la entrada de la línea de agua.
7. Enrosque la tuerca dentro del acoplamiento en el extremo de la tubería. Apriete la tuerca con la mano, y luego apriétela con la llave de tuercas ajustable dos giros más. No apriete demasiado.

NOTA: Para evitar ruidos molestos, asegúrese de que la tubería de cobre no toque la pared lateral de la carcasa u otras partes dentro de la carcasa.



A. Tubería a la fábrica de hielo
B. Tuerca (comprada)
C. Férula (comprada)
D. Acoplamiento (comprado)
E. Férula
F. Tuerca
G. Línea provista de la fábrica de hielo

8. Instale la abrazadera para tubos de suministro de agua alrededor de la línea de suministro de agua, para reducir la tensión en el acoplamiento.
9. ABRA la válvula de cierre.
10. Revise si hay fugas. Ajuste las conexiones (incluso las de la válvula) o tuercas que tengan fugas.

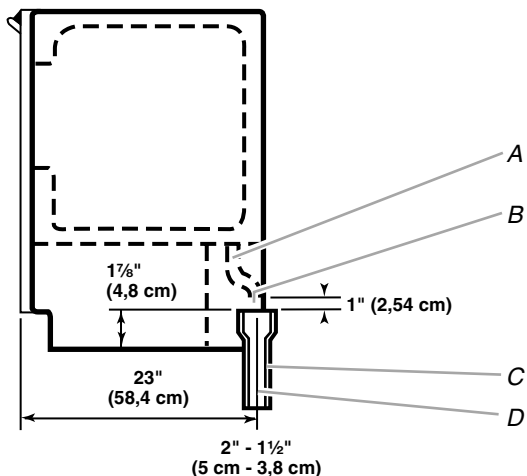
Conexión del desagüe

Sistema de desagüe por gravedad

Conecte la manguera de desagüe de la fábrica de hielo a su desagüe de conformidad con todos los códigos y ordenanzas locales y estatales. Si la fábrica de hielo viene con un sistema de desagüe por gravedad, siga estas directrices cuando instale las líneas de desagüe. Esto evitará que el agua regrese al cajón de almacenaje de la fábrica de hielo y probablemente caiga en el piso ocasionando daños.

- Las líneas de desagüe deben tener un mínimo de $\frac{5}{8}$ " (15,88 mm) de diámetro interno.
- Las líneas de desagüe deben tener 1" de caída por cada 48" (2,54 cm de caída por cada 122 cm) de recorrido o $\frac{1}{4}$ " de caída por cada 12" (6,35 mm por cada 30,48 cm) de recorrido y no deben tener puntos bajos donde el agua pueda asentarse.
- Los desagües por el piso deben ser lo suficientemente grandes para contener el agua de todos los desagües.
- La instalación ideal tiene un tubo vertical con un reductor de desagüe de PVC de $1\frac{1}{2}$ " (3,81 cm) a 2" (5,08 cm), instalado directamente debajo del orificio de salida del tubo de desagüe según se ilustra. Usted debe mantener un espacio de aire de 1" (2,54 cm) entre la manguera de la bomba de desagüe y el tubo vertical.
- Sería ideal aislar la línea de desagüe completamente hasta el orificio de entrada del desagüe.

VISTA LATERAL



- A. Manguera de desagüe
B. Espacio de aire de 1" (2,54 cm)
C. Reductor de desagüe de PVC
D. El centro del desagüe debe estar 23" (58,4 cm) desde el frente de la puerta, con o sin el panel de $\frac{3}{4}$ " (1,91 cm) en la puerta. El desagüe debe también estar centrado de izquierda a derecha ($7\frac{5}{16}$ " [18,56 cm] de cada lado de la fábrica de hielo).

Sistema de la bomba de desagüe (en algunos modelos)

Conecte el desagüe de la fábrica de hielo a su desagüe, de conformidad con el Código de Plomería Internacional y todos los códigos y ordenanzas locales.

NOTA: Si la manguera de desagüe se retuerce y el agua no se puede desaguar, la fábrica de hielo no funcionará.

Conexión del desagüe

Luego de asegurarse de que el sistema de desagüe es el adecuado, siga estos pasos para colocar la fábrica de hielo en un lugar apropiado:

⚠ ADVERTENCIA



Peligro de Choque Eléctrico

Conecte a un contacto de pared de conexión a tierra de 3 terminales.

No quite la terminal de conexión a tierra.

No use un adaptador.

No use un cable eléctrico de extensión.

No seguir estas instrucciones puede ocasionar la muerte, incendio o choque eléctrico.

1. Conecte a un contacto de pared de conexión a tierra de 3 terminales.

⚠ ADVERTENCIA

Peligro de Peso Excesivo

Use dos o más personas para mover e instalar la fábrica de hielo.

No seguir esta instrucción puede ocasionar una lesión en la espalda u otro tipo de lesiones.

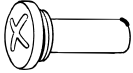
2. **Estilo 1** – Para el sistema de desagüe por gravedad, empuje la fábrica de hielo a su posición de modo que el tubo de desagüe de la fábrica de hielo esté ubicado encima del reductor de desagüe de PVC. Vea “Sistema de desagüe por gravedad” anteriormente en esta sección. **Estilo 2** - Para el sistema de bomba de desagüe, conecte la manguera de salida de la bomba al desagüe. Vea “Sistema de bomba de desagüe” anteriormente en esta sección.
3. Vuelva a revisar la fábrica de hielo para asegurarse de que esté nivelada. Consulte la sección “Nivelación”.
4. Si el código de higiene local lo requiere, selle la carcasa al piso con masilla de calafateo aprobada después de haber efectuado todas las conexiones eléctricas y de agua.

Puerta de la fábrica de hielo

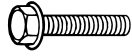
Herramientas necesarias:

Reúna las herramientas y piezas necesarias antes de comenzar la instalación.

- Llave de tuercas de $\frac{5}{16}$ "
- Cuchillo plano para masilla
- Llave de tuercas de $\frac{1}{4}$ "
- Destornillador Phillips



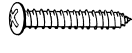
Pasador de la bisagra



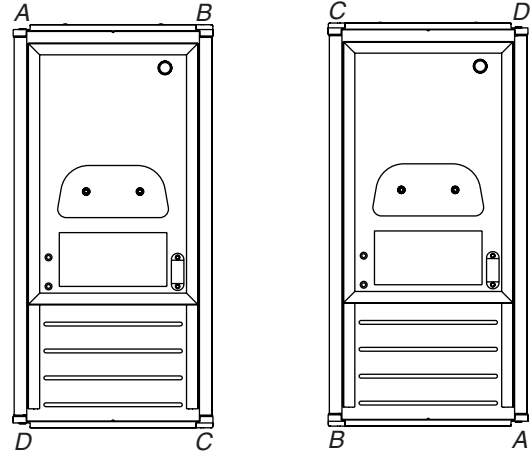
Tornillo de cabeza hexagonal de $\frac{5}{16}$ " para bisagra



Tornillo de manija



Tornillo de la cubierta del extremo



- A. Esquina superior abierta (sin la cubierta del extremo)
B. Cubierta del extremo al comienzo de la esquina superior
C. Cubierta del extremo al comienzo de la esquina inferior
D. Esquina inferior abierta (sin la cubierta del extremo)

Sacar la puerta

1. Desenchufe la fábrica de hielo o desconecte el suministro de energía.
2. Saque los tornillos de la manija y la manija de la parte superior de la puerta (en algunos modelos). Guarde las partes juntas y póngalas aparte.
3. Saque el pasador de la bisagra superior.
4. Saque la puerta de las bisagras y atornille nuevamente el pasador de la bisagra superior en la bisagra superior.
5. Quite el revestimiento de la puerta (en algunos modelos), de la siguiente manera:
 - Quite los dos tornillos de la parte superior e inferior del revestimiento de la puerta.
 - Quite el revestimiento y los protectores de los bordes de la puerta. Guarde las partes juntas y póngalas aparte.
6. Invierta las cubiertas del extremo de la puerta de la manera siguiente:
 - Quite el tornillo y la cubierta del extremo de la esquina superior. Muévelo diagonalmente hacia la esquina inferior opuesta, manteniendo el lado derecho de la cubierta mirando hacia el frente de la fábrica de hielo.
 - Quite el tornillo y la cubierta del extremo de la esquina inferior. Muévelo diagonalmente hacia la esquina superior opuesta, manteniendo el lado derecho de la cubierta mirando hacia el frente de la fábrica de hielo.

7. Coloque nuevamente la puerta en el revestimiento inoxidable, manteniendo en su lugar los protectores de los bordes. Reemplace los dos tornillos en la parte superior e inferior.
8. Ponga la puerta a un lado.

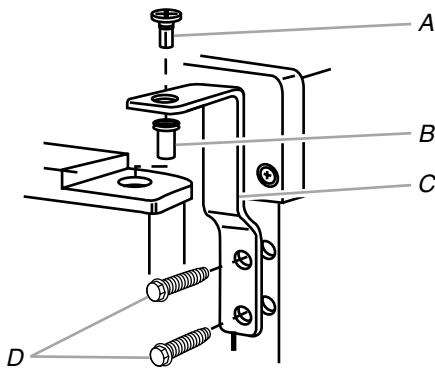
Invertir las bisagras

1. Destornille y saque la bisagra superior. Vuelva a colocar los tornillos en los orificios vacíos de la bisagra.
2. Saque los tornillos de la parte inferior del lado opuesto de la carcasa de la fábrica de hielo. Gire la bisagra superior al revés de manera que el pasador de la bisagra apunte hacia arriba. Coloque la bisagra en el lado inferior opuesto de la fábrica de hielo y ajuste los tornillos.
3. Saque la funda plástica del pasador de la bisagra de la bisagra inferior "vieja" y vuelva a colocarla en el nuevo pasador de la bisagra inferior.
4. Saque los tornillos "viejos" de la bisagra inferior y la bisagra. Vuelva a colocar los tornillos en los orificios vacíos de la bisagra.
5. Saque los tornillos de la parte superior del lado opuesto de la carcasa de la fábrica de hielo. Gire la bisagra al revés de manera que el pasador de la bisagra apunte hacia abajo. Coloque la bisagra en el lado superior opuesto de la fábrica de hielo y ajuste los tornillos.
6. Saque el pasador de la bisagra superior.

Volver a colocar la puerta

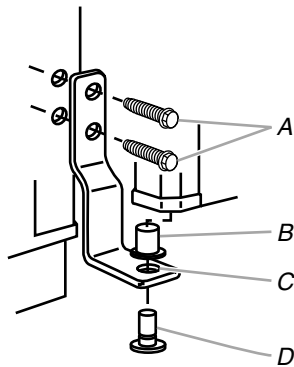
1. Coloque la funda plástica del pasador de la bisagra en el orificio de la bisagra superior en la puerta. Alinee la puerta con el orificio de la bisagra superior y vuelva a colocar el pasador de la bisagra superior.
2. Vuelva a colocar la manija y los tornillos de la manija (en algunos modelos).

Bisagra superior



- A. Pasador de la bisagra
- B. Funda del pasador de la bisagra
- C. Bisagra
- D. Tornillo de cabeza hexagonal para bisagra

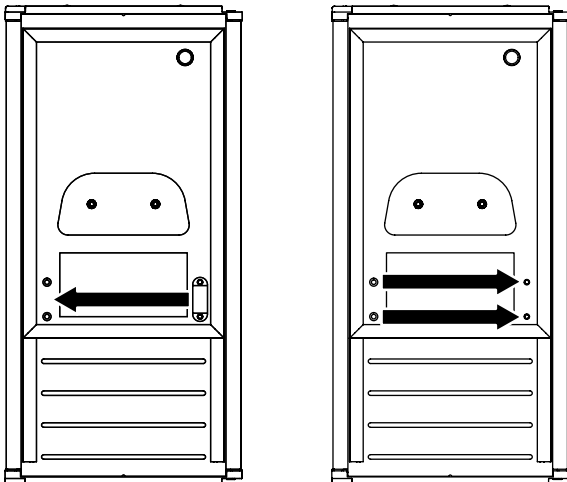
Bisagra inferior



- A. Tornillo de cabeza hexagonal para bisagra
- B. Funda del pasador de la bisagra
- C. Bisagra
- D. Pasador de la bisagra

Invertir el seguro de la puerta

1. Saque los tapones de los orificios del lado opuesto de la puerta y déjelos aparte.
2. Saque los tornillos del seguro magnético de la puerta y vuelva a colocarlo en el lado opuesto de la puerta.



3. Empuje los tapones de los orificios a su lugar en el lado opuesto de la puerta.

⚠ ADVERTENCIA



Peligro de Choque Eléctrico

Conecte a un contacto de pared de conexión a tierra de 3 terminales.

No quite la terminal de conexión a tierra.

No use un adaptador.

No use un cable eléctrico de extensión.

No seguir estas instrucciones puede ocasionar la muerte, incendio o choque eléctrico.

4. Conecte a un contacto de pared de conexión a tierra de 3 terminales.

Sonidos normales

Su fábrica de hielo nueva puede producir algunos sonidos que no le sean familiares. Es posible que usted esté preocupado debido a que se trata de sonidos que no escuchó con anterioridad. La mayor parte de los sonidos nuevos son normales. Las superficies duras, como serían los pisos, paredes y armarios pueden hacerlos sonar más fuerte de lo que son realmente. A continuación se describen los tipos de sonidos que pudieran ser nuevos para usted y qué es lo que los produce.

- Cuando la válvula de agua se abre para llenar el depósito de agua para cada ciclo, se pudiera escuchar un zumbido.
- El caudal del refrigerante o de la línea de agua pudiera ocasionar ruidos de vibraciones. También los artículos que están almacenados encima de la fábrica de hielo pueden producir ruidos.
- El compresor de alta eficiencia pudiera producir un sonido pulsante o agudo.
- El agua corriendo sobre la placa del evaporador pudiera producir un sonido de salpicaduras.
- El agua corriendo de la placa del evaporador hacia el depósito de agua pudiera producir un sonido de salpicaduras.
- Al final de cada ciclo, pudiera escucharse un sonido de borboteo debido al caudal del refrigerante fluyendo en la fábrica de hielo.
- Es posible escuchar un sonido como de aire forzado por el ventilador del condensador por encima del condensador.
- Es posible escuchar un "ruido sordo" durante el ciclo de recolección, cuando la capa de hielo se desliza del evaporador hacia la rejilla cortadora.
- Al encender la fábrica de hielo por primera vez, se pudiera escuchar agua que fluye continuamente. La fábrica de hielo está programada para ejecutar un ciclo de enjuague antes de iniciar la fabricación del hielo.

USO DE LA FÁBRICA DE HIELO

Cómo funciona su fábrica de hielo

Cuando ponga su fábrica de hielo en marcha por primera vez, la bandeja del agua se llenará y el sistema se enjuagará por sí solo antes de comenzar a elaborar el hielo. El proceso de enjuague tarda unos 5 minutos.

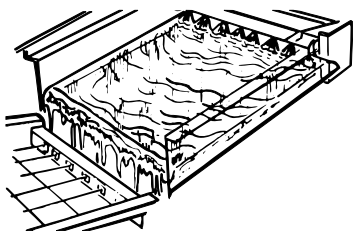
Bajo condiciones normales de funcionamiento, la fábrica de hielo funcionará a las temperaturas prefijadas. El sensor de nivel del hielo ubicado en el cajón de almacenaje del hielo controlará los niveles del hielo.

IMPORTANTE:

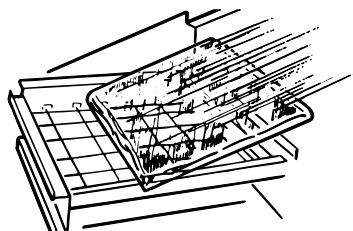
- Si el suministro de agua para la fábrica de hielo está cerrado, asegúrese de colocar el control de la fábrica de hielo en OFF (Apagado).
- La fábrica de hielo está diseñada para elaborar hielo transparente usando la mayoría de fuentes de agua a diario. Si obtiene resultados insatisfactorios, quizás el agua que usa necesite ser filtrada o tratada.

Proceso de elaboración de hielo

1. El agua circula constantemente sobre una placa de congelación. A medida que el agua se congela para convertirse en hielo, los minerales que están en el agua son rechazados. Esto produce una capa de hielo con un bajo contenido de minerales.

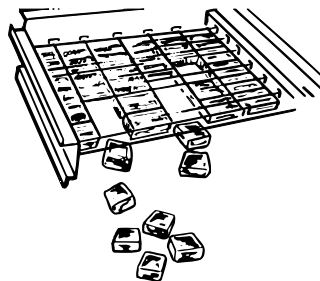


2. Cuando se logra el espesor deseado, la capa de hielo se desprende y se desliza sobre la rejilla de corte. La rejilla divide la capa de hielo en cubos individuales.



3. El agua que contiene los minerales rechazados es drenada después de cada ciclo de congelación.
4. El agua fresca entra en la unidad para ser usada en el siguiente ciclo de elaboración de hielo.

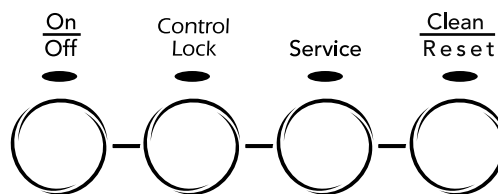
5. Los cubos caen en el cajón de almacenaje. Cuando el cajón está lleno, la fábrica de hielo se apaga automáticamente y vuelve a funcionar cuando se necesita más hielo. El cajón de almacenaje no está refrigerado y una poca cantidad de hielo se derretirá. La cantidad de derretimiento varía según la temperatura ambiente.



NOTA: Así como la temperatura ambiente y del agua varían, la cantidad producida y almacenada de hielo también varía. Esto significa que las temperaturas de funcionamiento más altas resultarán en una reducción de la producción del hielo.

Uso de los controles

1. Para empezar el ciclo normal de producción de hielo, presione ON (Encendido).
2. Para detener el funcionamiento de la fábrica de hielo, presione y sostenga OFF (Apagado).



NOTAS:

- Al presionar el interruptor de ON/OFF (Encendido/Apagado), no se corta el suministro de energía a la fábrica de hielo.
- Deje transcurrir 24 horas para la producción del primer lote de hielo. Deshágase del primer lote de hielo producido.

Bloqueo del control

El panel de control puede apagarse para facilitar la limpieza o para evitar que sea activado involuntariamente por niños o animales domésticos.

NOTA: La característica de bloqueo de control no apaga la fábrica de hielo ni la luz del depósito de la fábrica de hielo. Simplemente desactiva el panel de control.

1. Para bloquear el panel de control, presione y sostenga el botón de Control Lock (Bloqueo de control) hasta que aparezca el indicador.
2. Para desbloquear el panel de control, presione y sostenga el botón de Control Lock (Bloqueo de control) hasta que desaparezca el indicador.

Servicio

La luz de servicio indica cuándo se requiere el servicio. Si se enciende la luz de servicio, apague la fábrica de hielo y enciéndala otra vez. Si la luz de servicio se vuelve a prender, llame al servicio.

Clean/Reset (Limpieza/Reposición)

La luz de estado Cleaning/Reset (Limpieza/Reposición) le ayudará a saber cuándo debe limpiar su fábrica de hielo. La luz cambiará a amarilla. Esto le indica que ya casi es hora de limpiar su fábrica de hielo. Se recomienda que usted limpie la fábrica de hielo cuando la luz de estado cambie a rojo O BIEN se reduzca de manera significativa la producción de hielo. Para limpiar su fábrica de hielo, vea “Sistema de la fábrica de hielo” en la sección “Limpieza”.

CUIDADO DE LA FÁBRICA DE HIELO

Limpieza

Para que la fábrica de hielo funcione con máxima eficacia, y para prevenir una falla prematura de los componentes del sistema de elaboración de hielo, éste y el condensador de aire frío necesitan ser limpiados regularmente. Vea las secciones “Sistema de la fábrica de hielo” y “Condensador”.

Superficies exteriores

Lave las superficies exteriores esmaltadas de la unidad y las juntas con agua tibia y jabón o detergente suave. Limpie con un paño y seque. El uso regular de un buen producto para limpieza doméstica y cera ayudarán a proteger el acabado. No use productos de limpieza abrasivos en las superficies esmaltadas ya que pueden rayar el acabado.

Para productos con acabado de acero inoxidable, use una esponja limpia o un trapo suave y un detergente suave en agua tibia. No use limpiadores abrasivos o fuertes. No use blanqueador con cloro en superficies de acero inoxidable.

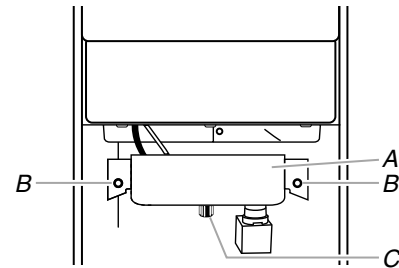
Sistema de la fábrica de hielo

Los minerales que han sido quitados del agua durante el ciclo de congelación, formarán al final un depósito duro de sarro en el sistema de agua. La limpieza periódica del sistema ayudará a quitar la capa de minerales que se ha formado. La frecuencia de la limpieza depende del grado de dureza del agua. Con agua dura (de 15 a 20 granos por galón [4 a 5 granos por litro]), es posible que se necesite limpiar el sistema cada 6 meses.

NOTA: Use una botella de 16 oz (473 mL) de limpiador aprobado para fábricas de hielo. Para comprar el limpiador, llame al **1-800-JENNAIR** y pida la Pieza número 4396808. En Canadá, llame al **1-800-807-6777**.

1. Presione y sostenga el interruptor del selector en la posición de OFF (Apagado).
2. Espere entre 5 a 10 minutos para que el hielo caiga en el cajón de almacenaje. Quite todo el hielo del cajón de almacenaje.
3. Desenrosque el tapón de desagüe de la parte inferior de la bandeja del agua ubicada dentro del cajón de almacenaje como se ilustra. Deje que el agua se escurra por completo.
4. Vuelva a colocar el tapón de desagüe bien asegurado en la bandeja de agua. Si el tapón de desagüe está flojo, el agua se vaciará de la bandeja de agua, y usted tendrá hielo fino o no tendrá hielo.

5. Antes de completar los siguientes pasos, lea y siga toda la información sobre el manejo del limpiador que se encuentra en la botella. Use una botella de 16 oz (473 mL) de limpiador aprobado para fábricas de hielo.
6. Vierta una botella de la solución en la bandeja del agua. Llene la botella dos veces con agua del grifo y viértala en la bandeja del agua.



A. Bandeja de agua
B. Tornillos de mariposa de la bandeja de agua
C. Tapón de desagüe

7. Presione y sostenga el botón de CLEAN (Limpiar). Vea “Uso de los controles”. La luz destellará indicando que el ciclo de limpieza está en proceso. Al terminar el ciclo de limpieza (aproximadamente 70 minutos), la luz indicadora se pone verde. Durante el ciclo de limpieza, el sistema efectuará automáticamente su limpieza y enjuague.
 8. Saque la tapa de desagüe de la bandeja de agua después de haber terminado el ciclo de limpieza. Busque cualquier resto de solución de limpieza que haya quedado en la bandeja de agua. Si la solución de limpieza se filtra de la bandeja del agua, usted deberá repetir el ciclo de limpieza. Vuelva a colocar y asegure el tapón de desagüe en la bandeja de agua. Si la tapa de desagüe está suelta, el agua se vaciará de la bandeja de agua y usted tendrá hielo muy delgado o no tendrá hielo.
- NOTA:** La gran acumulación de sarro puede requerir la repetición del proceso de limpieza con una solución de limpieza nueva.
9. Empuje el interruptor del selector a ON (Encendido) para reanudar la producción del hielo.

Condensador

Un condensador sucio u obstruido:

- Impide el flujo apropiado de aire.
- Reduce la capacidad de elaboración del hielo.
- Ocasiona temperaturas de funcionamiento más altas que las recomendadas, que puede dar lugar a fallas de los componentes.

⚠ ADVERTENCIA



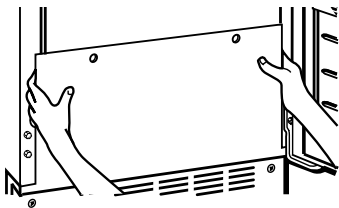
Peligro de Choque Eléctrico

Desconecte el suministro de energía antes de limpiarlo.

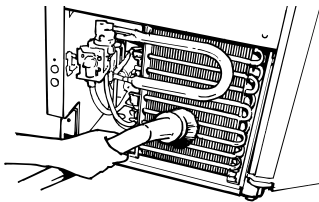
Vuelva a colocar todos los componentes y paneles antes de hacer funcionar.

No seguir estas instrucciones puede ocasionar la muerte o choque eléctrico.

1. Desenchufe la fábrica de hielo o desconecte el suministro de energía.
2. Quite los dos tornillos que están en el panel de acceso inferior y los dos tornillos del área de la rejilla de la base del soporte del panel frontal.
3. Jale la parte inferior hacia adelante y luego hacia abajo para quitar el panel de acceso inferior.



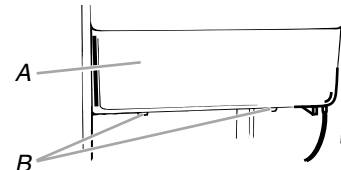
4. Quite la suciedad y pelusa de las aletas del condensador y del compartimiento de la unidad con el cepillo de la aspiradora.



5. Vuelva a colocar el panel de acceso inferior usando los cuatro tornillos.
6. Enchufe la fábrica de hielo o reconecte el suministro de energía.

Piezas interiores

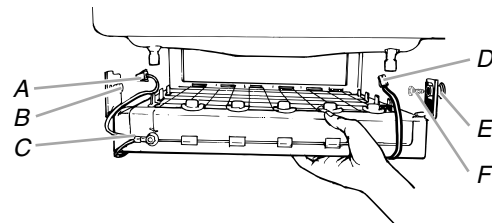
1. Desenchufe la fábrica de hielo o desconecte el suministro de energía.
2. Abra la puerta del cajón de almacenaje y quite el hielo que está en el cajón.
3. Quite el tapón de desagüe de la bandeja del agua y deságüela por completo. Vuelva a colocar el tapón de desagüe bien asegurado en la bandeja de agua. Si el tapón de desagüe está flojo, el agua se vaciará de la bandeja de agua, y usted tendrá hielo fino o no tendrá hielo.
4. Saque los dos tornillos que sujetan la tapa de la rejilla de corte en su lugar y saque la tapa de la rejilla de corte.
5. Desenchufe el arnés eléctrico del lado izquierdo de la rejilla de corte.



A. Tapa de la rejilla de corte
B. Tornillos

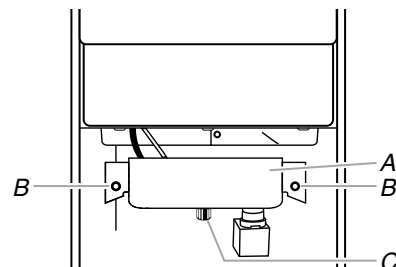
6. Desenchufe el sensor de nivel del hielo del lado derecho de la rejilla de corte. Jale el sensor de nivel del hielo hacia abajo y hacia adelante para separarlo de la rejilla de corte.
7. Quite los tornillos de la mano derecha y de la mano izquierda. Levante la rejilla de corte hacia arriba y hacia afuera.

NOTA: Asegúrese de que el separador de plástico que se encuentra a la mano derecha del soporte de la rejilla de corte permanezca con la rejilla de corte.



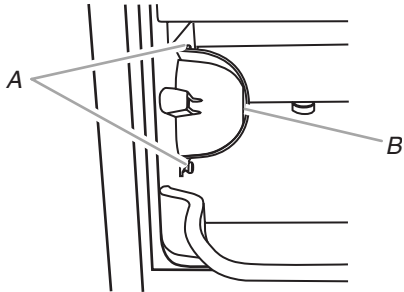
A. Arnés de la rejilla de corte
B. Tornillo
C. Rejilla de corte
D. Arnés del sensor de nivel del hielo
E. Separador de plástico
F. Tornillo

8. Quite los dos tornillos de mariposa que sostienen la bandeja del agua en su lugar. Empuje hacia abajo con una mano en la parte del frente de la bandeja mientras jala hacia adelante el lado posterior inferior.



A. Bandeja de agua
B. Tornillos de mariposa de la bandeja de agua
C. Tapón de desagüe

9. Quite, limpie y vuelva a colocar la pala para el hielo y el soporte de la misma.
- Después de quitar la pala para el hielo, retire el soporte removiendo los dos tornillos de mariposa.
 - Lave el soporte de la pala para el hielo junto con las otras piezas interiores usando las siguientes instrucciones.
 - Vuelva a colocar los tornillos de mariposa para instalar nuevamente el soporte de la pala para el hielo.



A. Tornillo de mariposa
B. Soporte de la pala para el hielo

10. Lave con jabón o detergente suave y agua tibia las piezas interiores (la rejilla de corte, el exterior de las mangueras y la bandeja del agua) y el cajón de almacenaje, la junta de la puerta, la pala para el hielo y el soporte de la pala para el hielo. Enjuague en agua limpia. Luego limpie las mismas piezas en una solución de una cucharada (15 mL) de blanqueador doméstico mezclado con 1 galón (3,8 L) de agua tibia. Nuevamente enjuáguelas a fondo en agua limpia.

NOTA: No quite las mangueras. No lave las piezas de plástico en la lavavajillas. Éstas no pueden soportar temperaturas superiores a los 145°F (63°C).

11. Vuelva a colocar la bandeja del agua empujando la parte inferior hacia atrás con una mano mientras empuja hacia arriba y hacia atrás la parte superior. Asegure la bandeja del agua volviendo a colocar ambos tornillos.

12. Verifique lo siguiente:

- Que el tapón de desagüe de la bandeja del agua esté bien asegurado en su lugar. Si el tapón de desagüe está flojo, el agua se vaciará de la bandeja de agua, y usted tendrá hielo fino o no tendrá hielo.
- Que la manguera de la bandeja del agua esté insertada en la abertura de desagüe del cajón de almacenaje.

13. Deslice hacia atrás la rejilla de corte hasta colocarla en su lugar y asegúrela volviendo a colocar el tornillo de la mano derecha y el separador de plástico. Luego ajuste el tornillo del lado izquierdo. Vuelva a conectar los arneses de la rejilla de corte y del sensor de nivel del hielo.

14. Vuelva a colocar la tapa de la rejilla de corte y los dos tornillos.

15. Enchufe la fábrica de hielo o reconecte el suministro de energía.

Cuidado durante las vacaciones y mudanzas

⚠ ADVERTENCIA



Peligro de Choque Eléctrico

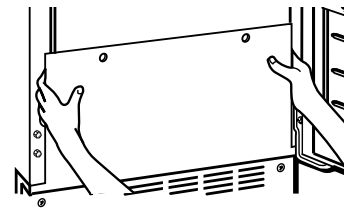
Desconecte el suministro de energía antes de darle mantenimiento.

Vuelva a colocar todos los componentes y paneles antes de hacerlo funcionar.

No seguir estas instrucciones puede ocasionar la muerte o choque eléctrico.

Para apagar la fábrica de hielo:

1. Desenchufe la fábrica de hielo o desconecte el suministro de energía.
2. Quite todo el hielo del recipiente de almacenamiento.
3. Cierre el suministro de agua.
4. Quite los dos tornillos del panel de acceso inferior y los dos tornillos de la zona de la rejilla de la base del soporte del panel frontal. Tire hacia delante para quitar el panel de acceso inferior.



5. Desconecte las líneas de entrada y de salida de la válvula de agua. Deje que esas líneas se desagüen y a continuación vuévalas a conectar a la válvula.
6. Vuelva a colocar el panel inferior de acceso y los tornillos.
7. Quite el tapón del desagüe para drenar el agua de la bandeja de agua.
8. Si se espera que la temperatura ambiente baje de 32°F (0°C), el agua deberá eliminarse de la línea de desagüe.

Para aquellas fábricas de hielo que tienen instalada una bomba de desagüe:

- Enchufe la fábrica de hielo o reconecte el suministro de energía.
- Apague la fábrica de hielo y quite todo el hielo que pudiese haber quedado en el recipiente para hielo.
- Vierta un cuarto de galón (0,95 L) de agua en el recipiente del hielo cerca del desagüe y deje reposar la unidad por cerca de cinco minutos. Esta operación permitirá que el agua en el recipiente se desagüe por la bomba de desagüe, de tal manera que la bomba eliminará el agua restante del recipiente del hielo y de la bomba de desagüe.
- Desenchufe la fábrica de hielo o desconecte el suministro de energía.

9. Limpie la fábrica de hielo y el recipiente de almacenamiento antes de usarlos nuevamente.
10. Conecte a un contacto de pared de conexión a tierra de 3 terminales.

NOTA: Todas las piezas de la fábrica de hielo vienen con lubricación permanente desde la fábrica. No deberían requerir lubricación adicional durante todo el ciclo vital de la máquina.

SOLUCIÓN DE PROBLEMAS

Primero pruebe las soluciones sugeridas aquí para evitar el costo innecesario del servicio.

Funcionamiento de la fábrica de hielo

Su fábrica de hielo no funciona

⚠ ADVERTENCIA



Peligro de Choque Eléctrico

Conecte a un contacto de pared de conexión a tierra de 3 terminales.

No quite la terminal de conexión a tierra.

No use un adaptador.

No use un cable eléctrico de extensión.

No seguir estas instrucciones puede ocasionar la muerte, incendio o choque eléctrico.

- **¿Se ha enchufado el cable de electricidad?** Conecte a un contacto de pared de conexión a tierra de 3 terminales.
- **¿Se ha fijado el control en ON (Encendido)?** Asegúrese de que el control esté en ON.
- **¿Hay un fusible de la casa fundido o se disparó el cortacircuitos?** Reemplace el fusible o reposicione el cortacircuitos. Si el problema continúa, llame a un electricista.
- **¿Está la temperatura ambiente más fresca de lo normal?** La temperatura ambiente debe estar encima de los 55°F (13°C). De otro modo, el termostato del depósito puede detectar la temperatura ambiente fría y apagar la unidad aún cuando el depósito no está lleno de hielo. Además, es posible que la unidad no vuelva a funcionar nuevamente una vez que haya sido apagada.

- **¿Se enciende la luz verde al presionar el botón de Clean (Limpieza)?** La fábrica de hielo recibe energía pero es posible que necesite limpieza. Vea “Limpieza”.
- **¿Tiene la fábrica de hielo una bomba de desagüe?** Si se agregó una gran cantidad de agua a la fábrica de hielo, espere unos minutos para que la bomba de desagüe se despeje. Si todavía queda agua en el depósito, verifique si la manguera de desagüe está retorcida.

La fábrica de hielo parece ser ruidosa

- **¿Circula el agua a través de la fábrica de hielo?** Este es el funcionamiento normal. Se agrega agua una vez por cada ciclo de fabricación de hielo.
- **¿Se está desbordando el agua del depósito?** Esto es normal. Al desbordarse el agua, se eliminan los minerales que se quitaron del agua durante el proceso de fabricación de hielo.
- **¿Se escucha un “zumbido”?** Verifique lo siguiente:
 - Asegúrese de que el suministro de agua esté adecuadamente conectado y abierto.
 - Asegúrese de que la tapa de desagüe esté apretada y que la bomba de agua de la bandeja de desagüe está firmemente fija a la bandeja de agua.
- **¿Hay hielo entre la placa del evaporador y la rejilla de corte?** Verifique si la fábrica de hielo está nivelada. Vea “Nivelación”. Si la fábrica de hielo está nivelada y el problema continúa, ponga a funcionar un ciclo de limpieza. Vea “Limpieza”.

Producción de hielo

La fábrica de hielo funciona pero no produce hielo

- **¿Se ha fijado el control en ON (Encendido)?** Asegúrese de que el control esté en ON.
- **¿Se ha conectado el suministro de agua?** Asegúrese de que el suministro de agua esté adecuadamente conectado y abierto.
- **¿Se ha colocado la tapa de desagüe segura en su lugar?** Si la tapa de desagüe está floja, el agua se vaciará de la bandeja de agua y usted tendrá hielo delgado o no tendrá hielo. Apriete la tapa de desagüe.
- **¿Hay residuos en el tubo de desagüe?** Limpie el tubo de desagüe.
- **¿Hay un estrechamiento en la línea de desagüe?** Asegúrese de que no haya torceduras en la línea.
- **¿Se enciende y se apaga continuamente la luz de limpieza?** Llame solicitando servicio técnico.

La fábrica de hielo funciona pero produce muy poco hielo

- **¿Está la temperatura ambiente más caliente que lo normal?** La temperatura ambiente superior a 90°F (32°C) por lo general reducirá la producción del hielo.

⚠ ADVERTENCIA



Peligro de Choque Eléctrico

Desconecte el suministro de energía antes de darle mantenimiento.

Vuelva a colocar todos los componentes y paneles antes de hacerlo funcionar.

No seguir estas instrucciones puede ocasionar la muerte o choque eléctrico.

- **¿Está sucio el condensador?** La suciedad o la pelusa puede estar obstruyendo el flujo de aire a través del condensador. Vea “Condensador” en la sección “Limpieza”.
- **¿Se ha acumulado sarro en la fábrica de hielo?** Si hay acumulación blanca de sarro en el sistema de congelación o del agua de la unidad, usted deberá limpiar la fábrica de hielo. Consulte “Piezas interiores” en la sección “Limpieza”.
- **¿Se ha colocado la tapa de desagüe segura en su lugar?** Si la tapa de desagüe está floja, el agua se vaciará de la bandeja de agua y usted tendrá hielo delgado o no tendrá hielo. Apriete la tapa de desagüe si está floja.

La rejilla de corte no está cortando las capas de hielo

- **¿Se ha colocado la rejilla de corte segura en su lugar?** Verifique el tapón del arnés de la rejilla de corte para asegurarse de que la conexión esté intacta. Vea la sección “Componentes interiores” de “Limpieza” para leer las instrucciones sobre cómo quitar la rejilla de corte.

Calidad del hielo

El hielo tiene mal sabor, mal olor o un color grisáceo

- **¿Hay un contenido alto de minerales en el suministro de agua?** Puede ser necesario filtrar o tratar el agua.
- **¿Se ha formado una capa de minerales?** Limpie su fábrica de hielo. Vea “Sistema de la fábrica de hielo” en la sección “Limpieza”.
- **¿Se han guardado alimentos en el depósito de hielo?** No guarde alimentos en el depósito de hielo.
- **¿Se quitó todo el material de empaque?** Asegúrese de haber quitado todos los materiales de empaque en el momento de la instalación.

Hielo delgado, blando o aglutinado

- **¿Hay un contenido alto de minerales en el suministro de agua?** Puede ser necesario filtrar o tratar el agua.
- **¿Se ha formado una capa de minerales?** Limpie su fábrica de hielo. Vea “Sistema de la fábrica de hielo” en la sección “Limpieza”.
- **¿Hay hielo aglutinado en el depósito?** Si no se usa el hielo regularmente, se derretirá y formará bloques. Rompa los bloques con la pala para el hielo provista.

Problemas de plomería

⚠ ADVERTENCIA

Peligro de Peso Excesivo

Use dos o más personas para mover e instalar la fábrica de hielo.

No seguir esta instrucción puede ocasionar una lesión en la espalda u otro tipo de lesiones.

- **¿Está alineada la manguera de desagüe sobre el desagüe?** Mueva la fábrica de hielo para alinear el desagüe. Vea “Conexión del suministro de agua”.

NOTA: Los técnicos de servicio no pueden reparar los problemas de plomería presentes fuera de la fábrica de hielo. Llame a un plomero competente autorizado.

AYUDA O SERVICIO TÉCNICO

Antes de solicitar ayuda o servicio técnico, por favor consulte la sección “Solución de problemas”. Esto le podría ahorrar el costo de una visita de servicio técnico. Si considera que aún necesita ayuda, siga las instrucciones que aparecen a continuación.

Cuando llame, tenga a mano la fecha de compra y el número completo del modelo y de la serie de su electrodoméstico. Esta información nos ayudará a atender mejor a su pedido.

En los EE.UU.

Si el problema no se debe a algunos de los puntos indicados en la sección de “Solución de problemas”...

Llame al distribuidor en donde compró su electrodoméstico o llame a Jenn-Air al **1-800-JENNAIR (1-800-536-6247)** para ubicar una compañía de servicio autorizado. Cuando llame, tenga a mano la fecha de compra y el número completo del modelo y de la serie de su electrodoméstico. Asegúrese de tener el comprobante de compra para verificar el estado de la garantía.

Si el distribuidor o la compañía de servicio no pueden resolver su problema, escriba a:

**Jenn-Air Brand Home Appliances
Customer eXperience Center
553 Benson Road
Benton Harbor, MI 49022-2692**

Dirección del sitio de internet: www.jennair.com

O llame al: **1-800-JENNAIR (1-800-536-6247)**.

Los clientes de EE.UU. que usen TTY (teléfono de texto) para sordos, personas con problemas de audición o de habla, deberán llamar al: **1-800-688-2080** (de lunes a viernes, de 8 a.m. a 8 p.m., hora del este).

NOTA: Cuando escriba o llame acerca de un problema de servicio, sírvase incluir la siguiente información:

1. Su nombre, dirección y número de teléfono de día.
2. El número de modelo y de serie de su electrodoméstico.
3. Nombre y dirección de su distribuidor o prestador de servicio.
4. Una descripción detallada del problema que está teniendo.
5. Comprobante de compra (recibo de compra).

Los manuales para usuarios, manuales de servicio técnico e información acerca de las piezas están disponibles en el Centro para la eXperiencia del cliente de Jenn-Air Brand Home Appliances.

En Canadá

Si el problema no se debe a ninguno de los puntos indicados en la sección de “Solución de problemas”...

Llame al distribuidor en donde compró su electrodoméstico o llame a Jenn-Air al **1-800-807-6777** para ubicar una compañía de servicio autorizado. Cuando llame, tenga a mano la fecha de compra y el número completo del modelo y de la serie de su electrodoméstico. Asegúrese de tener el comprobante de compra para verificar el estado de la garantía.

Si el distribuidor o la compañía de servicio no pueden resolver su problema, escriba a:

**Jenn-Air Brand Home Appliances
Customer eXperience Centre
1901 Minnesota Court
Mississauga, ON L5N 3A7**

Dirección del sitio de internet: www.jennair.ca

O llame al: **1-800-807-6777**.

NOTA: Cuando escriba o llame acerca de un problema de servicio, sírvase incluir la siguiente información:

1. Su nombre, dirección y número de teléfono de día.
2. El número de modelo y de serie de su electrodoméstico.
3. Nombre y dirección de su distribuidor o prestador de servicio.
4. Una descripción detallada del problema que está teniendo.
5. Comprobante de compra (recibo de compra).

Los manuales para usuarios, manuales de servicio técnico e información acerca de las piezas están disponibles en el Centro para la eXperiencia del cliente de Jenn-Air Brand Home Appliances.

GARANTÍA DE LA FÁBRICA DE HIELO DE JENN-AIR™

GARANTÍA LIMITADA DE UN AÑO

Durante un año a partir de la fecha de compra, siempre y cuando se dé a este electrodoméstico principal un uso y mantenimiento de conformidad con las instrucciones adjuntas o provistas con el producto en un establecimiento residencial, la marca Jenn-Air de Whirlpool Corporation o Whirlpool Canada LP (en lo sucesivo denominada "Jenn-Air") se hará cargo del costo de las piezas especificadas de fábrica y del trabajo de reparación para corregir defectos en los materiales o en la mano de obra. El servicio deberá ser suministrado por una compañía de servicio designada por Jenn-Air.

GARANTÍA LIMITADA DEL SEGUNDO AL QUINTO AÑO EN LAS PIEZAS DEL SISTEMA DE REFRIGERACIÓN SELLADO

Del segundo al quinto año a partir de la fecha de compra, siempre y cuando se dé a este producto el uso en un establecimiento residencial y se le dé un mantenimiento de conformidad con las instrucciones provistas con el mismo, Jenn-Air se hará cargo del costo de las piezas de repuesto y del gasto del trabajo de reparación para corregir defectos en los materiales o en la mano de obra en el sistema de refrigeración sellado. Estas piezas son: compresor, evaporador, condensador, secador/colador y los tubos conectores. El servicio deberá ser realizado por una compañía de servicio designada por Jenn-Air.

JENN-AIR NO PAGARÁ POR LOS SIGUIENTES ARTÍCULOS

1. Visitas de servicio técnico para corregir la instalación de su electrodoméstico principal, para enseñarle a usar su electrodoméstico principal, para cambiar o reparar fusibles domésticos o para corregir la instalación eléctrica o de la tubería de la casa.
2. Visitas de servicio técnico para reparar o reemplazar focos para electrodomésticos, filtros de aire o filtros de agua. Esos insumos están excluidos de la cobertura de la garantía.
3. Reparaciones cuando su electrodoméstico principal se use de un modo diferente al doméstico normal de una familia.
4. Daños causados por accidente, alteración, uso indebido, abuso, incendio, inundación, actos fortuitos, instalación incorrecta, instalación que no esté de acuerdo con los códigos eléctricos o de plomería, o el empleo de productos no aprobados por Jenn-Air.
5. Cualquier pérdida de comida debido a fallas del refrigerador o del congelador.
6. Piezas de repuesto o gastos de reparación para electrodomésticos que se empleen fuera de los Estados Unidos o Canadá.
7. Recogida y entrega. Este electrodoméstico principal está diseñado para ser reparado en el hogar.
8. Reparaciones de piezas o sistemas como resultado de modificaciones no autorizadas que se hayan efectuado en el electrodoméstico.
9. Gastos de viaje y transporte para obtener servicio del producto en lugares remotos.
10. La remoción e instalación de su electrodoméstico si estuviera instalado en un lugar inaccesible o si no estuviera instalado de conformidad con las instrucciones de instalación publicadas.

EXCLUSIÓN DE GARANTÍAS IMPLÍCITAS; LIMITACIÓN DE RECURSOS

EL ÚNICO Y EXCLUSIVO RECURSO DEL CLIENTE SEGÚN LOS TÉRMINOS DE ESTA GARANTÍA LIMITADA SERÁ EL DE REPARAR EL PRODUCTO SEGÚN SE ESTIPULA EN LA PRESENTE. LAS GARANTÍAS IMPLÍCITAS, INCLUYENDO LAS GARANTÍAS DE COMERCIABILIDAD O DE CAPACIDAD PARA UN PROPÓSITO PARTICULAR, SERÁN LIMITADAS A UN AÑO O AL PERÍODO MÁS CORTO PERMITIDO POR LEY. JENN-AIR NO SE RESPONSABILIZARÁ POR DAÑOS INCIDENTALES O CONSECUENTES. ALGUNOS ESTADOS Y PROVINCIAS NO PERMITEN LAS EXCLUSIONES O LIMITACIONES POR DAÑOS INCIDENTALES O CONSECUENTES, O LIMITACIONES ACERCA DE CUÁNTO DEBE DURAR UNA GARANTÍA IMPLÍCITA DE COMERCIABILIDAD O CAPACIDAD, DE MODO QUE LAS LIMITACIONES O EXCLUSIONES ARRIBA MENCIONADAS PUEDEN NO APLICARSE EN SU CASO. ESTA GARANTÍA LE OTORGA DERECHOS LEGALES ESPECÍFICOS Y ES POSIBLE QUE USTED TENGA TAMBIÉN OTROS DERECHOS QUE PUEDEN VARIAR DE UN ESTADO A OTRO O DE UNA PROVINCIA A OTRA.

Esta garantía no tiene vigor fuera de los cincuenta Estados Unidos y Canadá. Póngase en contacto con el distribuidor autorizado de Jenn-Air para determinar si corresponde otra garantía.

Si necesita servicio, consulte primero la sección "Solución de problemas" del Manual de uso y cuidado. Después de consultar la sección "Solución de problemas", puede encontrar ayuda adicional en la sección "Ayuda o servicio técnico", o llamando a Jenn-Air. En EE.UU., llame al **1-800-JENNAIR (1-800-536-6247)**. En Canadá, llame al **1-800-807-6777**.

8/07

Guarde este libro y su comprobante de compra juntos para referencia futura. Usted deberá proporcionar el comprobante de la compra o una fecha de instalación para obtener servicio bajo la garantía.

Escriba la siguiente información acerca de su electrodoméstico principal para ayudarle mejor a obtener asistencia o servicio técnico si alguna vez llegara a necesitarlo. Deberá tener a mano el número completo del modelo y de la serie. Usted puede encontrar esta información en la etiqueta con el número de modelo y de serie ubicada en el producto.

Nombre del distribuidor _____

Dirección _____

Número de teléfono _____

Número de modelo _____

Número de serie _____

Fecha de compra _____

SÉCURITÉ DE LA MACHINE À GLAÇONS

Votre sécurité et celle des autres est très importante.

Nous donnons de nombreux messages de sécurité importants dans ce manuel et sur votre appareil ménager. Assurez-vous de toujours lire tous les messages de sécurité et de vous y conformer.



Voici le symbole d'alerte de sécurité.

Ce symbole d'alerte de sécurité vous signale les dangers potentiels de décès et de blessures graves à vous et à d'autres.

Tous les messages de sécurité suivront le symbole d'alerte de sécurité et le mot "DANGER" ou "AVERTISSEMENT". Ces mots signifient :

⚠ DANGER

Risque possible de décès ou de blessure grave si vous ne suivez pas immédiatement les instructions.

⚠ AVERTISSEMENT

Risque possible de décès ou de blessure grave si vous ne suivez pas les instructions.

Tous les messages de sécurité vous diront quel est le danger potentiel et vous disent comment réduire le risque de blessure et ce qui peut se produire en cas de non-respect des instructions.

IMPORTANTES INSTRUCTIONS DE SÉCURITÉ

AVERTISSEMENT : Pour réduire le risque d'incendie, de choc électrique ou de blessures lors de l'utilisation de la machine à glaçons, il convient d'observer certaines précautions élémentaires :

- Brancher sur une prise à 3 alvéoles reliée à la terre.
- Ne pas enlever la broche de liaison à la terre.
- Ne pas utiliser un adaptateur.
- Ne pas utiliser un câble de rallonge.
- Utiliser deux ou plus de personnes pour déplacer et installer la machine à glaçons.
- Déconnecter la source de courant électrique avant le nettoyage.
- Déconnecter la source de courant électrique avant l'entretien.
- Replacer pièces et panneaux avant de faire la remise en marche.

CONSERVEZ CES INSTRUCTIONS

INSTRUCTIONS D'INSTALLATION

Déballage de la machine à glaçons

⚠ AVERTISSEMENT

Risque du poids excessif

Utiliser deux ou plus de personnes pour déplacer et installer la machine à glaçons.

Le non-respect de cette instruction peut causer une blessure au dos ou d'autre blessure.

- Ne pas utiliser d'instruments acérés, d'alcool à friction, de liquides inflammables ou de nettoyants abrasifs pour enlever le ruban adhésif ou la colle. Ne pas utiliser d'eau de Javel sur les surfaces en acier inoxydable de la machine à glaçons. Ces produits peuvent endommager la surface de votre machine à glaçons.

Nettoyage avant l'utilisation

Après avoir enlevé tous les matériaux d'emballage, nettoyer l'intérieur de la machine à glaçons avant de l'utiliser. Voir les instructions de nettoyage dans la section "Entretien de la machine à glaçons".

Enlèvement des matériaux d'emballage

Enlever le ruban adhésif et la colle de la machine à glaçons avant de l'utiliser.

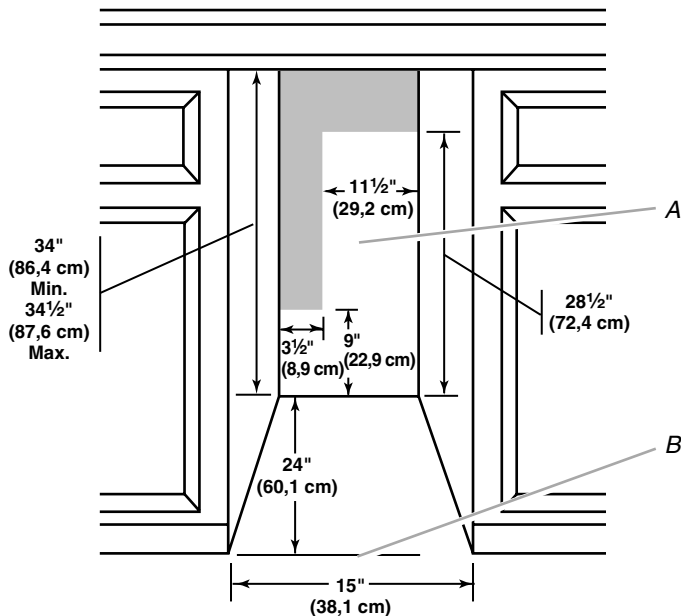
- Pour enlever ce qui reste du ruban adhésif ou de la colle de la surface extérieure de la machine à glaçons, frotter la surface vivement avec le pouce. La colle ou l'adhésif qui reste peut être facilement enlevé(e) en frottant une petite quantité de savon à vaisselle liquide sur l'adhésif avec les doigts. Rincer à l'eau tiède et essuyer.

Exigences d'emplacement

- Pour assurer une bonne aération de la machine à glaçons, l'avant doit être complètement dégagé. Les trois autres côtés et le dessus de la machine à glaçons peuvent être dissimulés, mais l'installation doit permettre de tirer la machine à glaçons vers l'avant pour l'entretien, si nécessaire.
- Pour installer la machine à glaçons, il faut avoir un tuyau souple d'alimentation en eau froide de 1/4" (6,35 mm) de diamètre extérieur en cuivre avec un robinet et un système de vidange par gravité ou une pompe à condensats pour acheminer l'eau vers un drain existant.
- Choisir un endroit bien aéré où la température est supérieure à 55°F (13°C) et inférieure à 110°F (43°C). Pour tirer le meilleur rendement de l'appareil, la température ambiante doit se situer entre 70°F (21°C) et 90°F (32°C).
- Cet appareil doit être installé à un endroit protégé contre les éléments, comme le vent, la pluie, les embruns ou les égouttures.
- Lorsque l'appareil est installé sous un comptoir, observer les dimensions d'ouverture indiquées. Placer les composants électriques et de plomberie dans la zone recommandée sur l'illustration.

REMARQUES :

- Vérifier que le cordon d'alimentation n'est pas coincé entre la machine à glaçons et le placard.
- Vérifier que le conduit de raccordement à la canalisation d'eau n'est pas coincé entre la machine à glaçons et le placard.
- Vérifier que le tuyau d'évacuation (sur certains modèles) n'est pas coincé entre la machine à glaçons et le placard.



A. Zone recommandée pour les composants électriques et de plomberie

B. Niveau du plancher

- Il est recommandé de choisir un emplacement où le plancher est de niveau. Il est important que la machine à glaçons soit d'aplomb pour bien fonctionner. Au besoin, il est possible de régler la hauteur de la machine à glaçons en changeant la position des pieds de nivellement. Voir la section "Nivellement".

Spécifications électriques

⚠ AVERTISSEMENT



Risque de choc électrique

Brancher sur une prise à 3 alvéoles reliée à la terre.

Ne pas enlever la broche de liaison à la terre.

Ne pas utiliser un adaptateur.

Ne pas utiliser un câble de rallonge.

Le non-respect de ces instructions peut causer un décès, un incendie ou un choc électrique.

Avant de déplacer la machine à glaçons à son emplacement définitif, il faut s'assurer que le raccordement électrique a été fait correctement :

Il faut un circuit d'alimentation électrique CA seulement de 115 volts, 60 Hz, de 15 ou 20 ampères, mis à la terre conformément aux instructions du Code national de l'électricité et des codes et règlements locaux.

Il est recommandé de réserver un circuit spécial à la machine à glaçons. Utiliser une boîte où l'alimentation ne peut pas être coupée à l'aide d'un commutateur ou d'un interrupteur à tirage.

IMPORTANT : Si ce produit est connecté à une prise dotée d'un disjoncteur de fuite à la terre, un déclenchement intempestif peut se produire et causer une perte de refroidissement. La qualité des glaçons peut en être affectée. Si un déclenchement intempestif se produit et si les glaçons semblent être de piètre qualité, jeter le tout.

Méthode de mise à la terre recommandée

Cet appareil doit être mis à la terre. L'appareil comporte un cordon d'alimentation électrique à trois broches pour la mise à la terre. Le cordon d'alimentation électrique doit être branché sur une prise de courant murale de configuration correspondante, à trois alvéoles, reliée à la terre conformément au Code national de l'électricité et aux codes et règlements locaux. S'il n'y a pas de prise de courant correspondante, il incombe au client de faire installer une prise de courant murale à trois alvéoles mise à la terre par un électricien qualifié.

Spécifications de l'alimentation en eau

Une alimentation en eau froide avec une pression entre 30 et 120 lb/po² (207 et 827 kPa) est nécessaire pour faire fonctionner la machine à glaçons. Si vous avez des questions au sujet de la pression de votre eau, appeler un plombier qualifié agréé.

Alimentation en eau par osmose inverse

IMPORTANT :

- Les systèmes de filtration de l'eau par osmose inverse peuvent être utilisés uniquement avec des installations de machine à glaçons comportant une vidange par gravité. Un système d'osmose inverse n'est pas recommandé pour les machines à glaçons équipées d'une pompe de vidange.
- La pression de l'approvisionnement en eau provenant d'un système d'osmose inverse allant au robinet d'arrivée d'eau de la machine à glaçons doit être comprise entre 30 et 120 lb/po² (207 et 827 kPa).

Si un système de filtration de l'eau par osmose inverse est raccordé à votre approvisionnement en eau froide, la pression de l'eau au système d'osmose inverse doit être de 40 à 60 lb/po² (276 à 414 kPa) minimum.

REMARQUE : Le système par osmose inverse doit fournir 1 gal. (3,8 L) d'eau par heure à la machine à glaçons pour un fonctionnement approprié de la machine à glaçons. Si l'on souhaite un système d'eau par osmose inverse, il est recommandé d'utiliser uniquement un système de filtration de l'eau par osmose inverse central, capable de maintenir l'approvisionnement régulier en eau requis par la machine à glaçons. Les systèmes par osmose inverse à capacité de robinet ne peuvent pas maintenir l'approvisionnement régulier en eau requis par la machine à glaçons.

Si la pression de l'eau au système d'osmose inverse est inférieure à 40 à 60 lb/po² (276 à 414 kPa) :

- Vérifier si le filtre à sédiment du système d'osmose inverse est bloqué et le remplacer si nécessaire.
- Laisser le réservoir du système d'osmose inverse se remplir après une utilisation intense.

Si vous avez des questions au sujet de la pression de votre eau, appeler un plombier qualifié agréé.

Nivellement

Il est important que la machine à glaçons soit d'aplomb pour bien fonctionner. Selon l'endroit où vous installez la machine à glaçons, vous pourrez avoir à effectuer plusieurs ajustements pour la mettre d'aplomb. Vous pouvez également utiliser les pieds de nivellement pour baisser la hauteur de la machine à glaçons pour les installations sous comptoir.

Outillage nécessaire :

Rassembler les outils et pièces nécessaires avant de commencer l'installation.

- Niveau de 9"
- Clé à molette

REMARQUE : Il est plus facile d'ajuster les pieds de nivellement si on se fait aider par une autre personne.

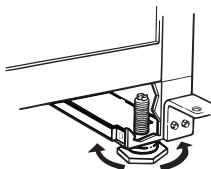
1. Déplacer la machine à glaçons à son emplacement final.

REMARQUE : Dans le cas d'une installation encastrée, déplacer la machine à glaçons le plus près possible de son emplacement final.

2. Placer le niveau sur le dessus du produit pour voir si la machine à glaçons est d'aplomb d'avant en arrière et transversalement.
3. Pousser vers le haut sur la partie supérieure avant de la machine à glaçons pour repérer les vis de nivellement qui se trouvent sur le fond avant de la machine à glaçons.
4. Au moyen d'une clé à molette, modifier la hauteur des pieds comme suit :

- Tourner le pied de nivellement vers la droite pour abaisser ce côté de la machine à glaçons.
- Tourner le pied de nivellement vers la gauche pour soulever ce côté de la machine à glaçons.

REMARQUE : La machine à glaçons ne devrait pas osciller. Utiliser des cales pour accroître la stabilité au besoin.



5. Pousser vers le haut sur la partie supérieure arrière de la machine à glaçons pour repérer les pieds de nivellement qui se trouvent sur le fond arrière de la machine à glaçons.
6. Suivre les instructions de l'étape 4 pour modifier la hauteur des pieds.
7. Utiliser un niveau pour vérifier que la machine à glaçons est d'aplomb d'avant en arrière et transversalement. Si elle n'est pas d'aplomb, répéter les étapes 2 à 5. Si la machine est d'aplomb, passer à la section "Raccordement à la canalisation d'eau".

Raccordement à la canalisation d'eau

Lire toutes les instructions avant de commencer.

IMPORTANT :

- L'installation de la plomberie doit être conforme au Code International de plomberie et respecter les codes et règlements locaux de plomberie.
- Utiliser un tuyau en cuivre ou le tuyau d'alimentation Whirlpool, pièce numéro 8212547RP et vérifier s'il y a des fuites.
- Installer les tuyaux seulement là où les températures resteront au-dessus du point de congélation.

Outillage nécessaire :

Rassembler les outils et pièces nécessaires avant de commencer l'installation.

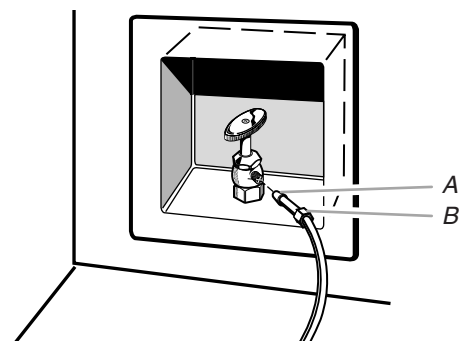
- Tournevis à lame plate
- Clés plates de 7/16" et de 1/2" ou deux clés à molette
- Tourne-écrou de 1/4"

REMARQUE : Ne pas utiliser de robinet d'arrêt à étrier perforant ou de 3/16" (4,76 mm) qui réduit le débit d'eau et qui se bouche plus facilement.

Raccordement du tuyau d'eau

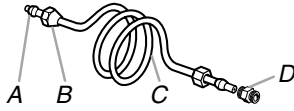
1. Couper l'alimentation principale en eau. Ouvrir le robinet le plus proche assez longtemps pour vider l'eau du tuyau.
2. À l'aide d'un tuyau d'alimentation en cuivre de 1/2" avec une valve d'arrêt tournée de un quart de tour ou l'équivalent, raccorder la machine à glaçons comme à l'illustration.

REMARQUE : Pour allouer un débit d'eau suffisant à la machine à glaçons, un tuyau d'alimentation en cuivre de 1/2" est recommandé.



A. Extrémité renflée
B. Écrou

3. On est maintenant prêt à connecter le tuyau en cuivre. Utiliser un tuyau en cuivre souple de 1/4" (6,35 mm) de diamètre extérieur pour l'alimentation en eau froide.
- S'assurer d'avoir la longueur nécessaire pour le raccordement. Il faut s'assurer que les deux extrémités du tuyau en cuivre sont bien coupées à angle droit.
 - Installer le manchon et l'écrou à compression sur le tuyau en cuivre (voir l'illustration). Insérer l'extrémité du tuyau aussi profondément que possible dans l'extrémité de sortie et à l'équerre. Visser l'écrou à compression sur l'extrémité de la sortie à l'aide d'une clé réglable. Ne pas serrer à l'excès.



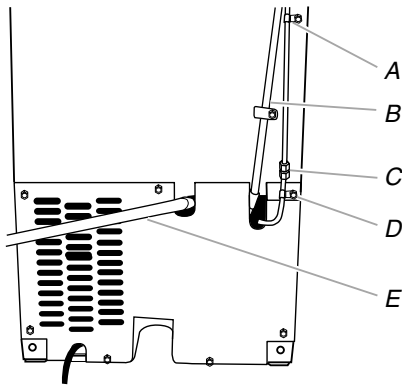
A. Manchon à compression
B. Écrou de compression
C. Tuyau en cuivre
D. Raccord (acheté)

4. Placer l'extrémité libre du tuyau dans un contenant ou évier et rétablir l'alimentation principale en eau pour nettoyer le tuyau jusqu'à ce que l'eau en sorte claire. Fermer le robinet d'arrêt sur le tuyau d'alimentation en eau.

REMARQUE : Toujours vidanger le tuyau d'alimentation en eau avant de faire le raccordement final sur l'entrée du robinet pour empêcher tout mauvais fonctionnement éventuel du robinet.

5. Courber le tuyau de cuivre de façon à faire un raccordement sur l'entrée du robinet qui se trouve à l'arrière de la machine à glaçons (voir l'illustration). Laisser un serpentín de tube en cuivre pour permettre de sortir la machine à glaçons du placard ou du mur en cas d'intervention de service.

VUE ARRIÈRE

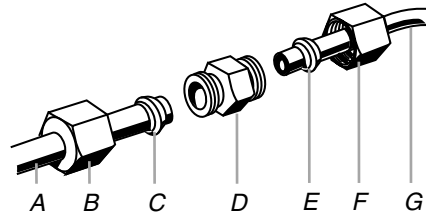


A. Bride pour tube d'arrivée d'eau
B. Tuyau d'aération (seulement pour modèles avec pompe de vidange)
C. Tube d'alimentation en d'eau
D. Bride pour tube d'admission d'eau
E. Tuyau de drainage (seulement pour modèles avec pompe de vidange)

6. Retirer et jeter le tube court noir en plastique de l'extrémité du tube d'admission d'eau.

7. Visser l'écrou dans le raccord à l'extrémité du tuyau. Serrer l'écrou manuellement. Ensuite le serrer deux tours de plus avec une clé. Ne pas serrer à l'excès.

REMARQUE : Pour éviter les vibrations, veiller à ce que les tuyaux en cuivre ne soient pas en contact avec les parois latérales de la caisse ou d'autres composants à l'intérieur de la caisse.



A. Canalisation jusqu'à la machine à glaçons
B. Écrou (acheté)
C. Virole (achetée)
D. Raccord (acheté)
E. Virole
F. Écrou
G. Canalisation fournie provenant de la machine à glaçons

8. Installer la bride du tube d'alimentation autour de la canalisation d'alimentation en eau pour réduire la tension sur le raccord.
9. OUVRIER le robinet d'arrêt.
10. Vérifier s'il y a des fuites. Serrer tous les raccords (y compris les raccordements de la valve) ou les écrous qui coulent.

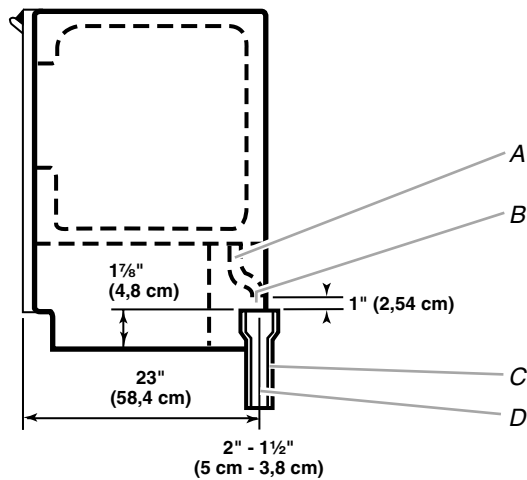
Raccordement au conduit d'évacuation

Vidange par gravité

Il faut raccorder le tuyau de vidange de la machine à glaçons à votre drain de vidange conformément aux codes et règlements locaux et provinciaux. Si la machine à glaçons est fournie avec un drain de vidange par gravité, il faut suivre les instructions ci-dessous lors de l'installation des tuyaux de vidange. Ceci aidera à éviter que l'eau ne refoule dans le bac d'entreposage de la machine à glaçons et éventuellement sur le plancher et ne cause des dommages.

- Les tuyaux de vidange doivent avoir au moins 5/8" (15,88 mm) de diamètre intérieur.
- Les tuyaux de vidange doivent avoir une pente de 1" pour chaque 48" (2,54 cm pour chaque 122 cm) de longueur ou une pente de 1/4" pour chaque 12" (6,35 mm/30,48 cm) et ne comporter aucun point bas où l'eau pourrait stagner.
- Les drains de vidange de plancher doivent être suffisamment grands pour recevoir l'eau de vidange provenant de toutes sources.
- L'installation idéale a un tuyau de rejet à l'égout avec un réducteur de vidange PVC de 1 1/2" (3,81 cm) à 2" (5,08 cm) installé directement sous la sortie du tuyau de vidange comme sur l'illustration. Il faut maintenir un écart anti-retour de 1" (2,54 cm) entre le tuyau de la pompe de vidange et le tuyau de rejet à l'égout.
- Il sera peut-être souhaitable d'isoler le tuyau de vidange complètement jusqu'à l'entrée du drain de vidange.

VUE LATÉRALE



- A. Tuyau de vidange
- B. Écart anti-retour de 1" (2,54 cm)
- C. Réducteur du drain de vidange PVC
- D. Le centre du drain devrait se trouver à 23" (58,4 cm) du devant de la porte avec ou sans le panneau de 3/4" (1,91 cm) sur la porte. Le drain doit aussi être centré de gauche à droite (7 5/16" [18,56 cm] de chaque côté de la machine à glaçons).

Système avec pompe de vidange (sur certains modèles)

Raccorder le drain de la machine à glaçons au drain de vidange conformément au Code international de plomberie et à tous les codes et règlements locaux.

REMARQUE : Si le tuyau de vidange devient tordu et que l'eau ne peut pas se vidanger, votre machine à glaçons ne fonctionnera pas.

Raccordement du conduit d'évacuation

Après avoir vérifié que le système de vidange est adéquat, il faut procéder tel que décrit ci-dessous pour bien mettre la machine à glaçons en place :

⚠ AVERTISSEMENT



Risque de choc électrique

- Brancher sur une prise à 3 alvéoles reliée à la terre.**
- Ne pas enlever la broche de liaison à la terre.**
- Ne pas utiliser un adaptateur.**
- Ne pas utiliser un câble de rallonge.**
- Le non-respect de ces instructions peut causer un décès, un incendie ou un choc électrique.**

1. Brancher l'appareil sur une prise à 3 alvéoles reliée à la terre.

⚠ AVERTISSEMENT

Risque du poids excessif

Utiliser deux ou plus de personnes pour déplacer et installer la machine à glaçons.

Le non-respect de cette instruction peut causer une blessure au dos ou d'autre blessure.

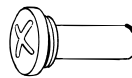
2. **Style 1** – Pour un système de vidange par gravité, pousser la machine à glaçons en position pour que le conduit de vidange soit positionné au-dessus du réducteur de vidange en PVC. Voir "Vidange par gravité" précédemment dans cette section. **Style 2** – Pour le système avec pompe de vidange, connecter le tuyau de sortie de la pompe au drain. Voir "Système avec pompe de vidange" précédemment dans cette section.
3. Vérifier à nouveau la machine à glaçons pour s'assurer qu'elle est bien d'aplomb. Voir la section "Nivellement".
4. Si le code sanitaire local l'exige, sceller la machine sur le plancher à l'aide d'un produit de calfeutrage approuvé une fois que les raccords d'eau et d'électricité ont été faits.

Porte de la machine à glaçons

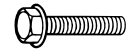
Outils nécessaires :

Rassembler les outils et pièces nécessaires avant de commencer l'installation.

- Clé de 5/16"
- Clé de 1/4"
- Couteau à mastic plat
- Tournevis Phillips



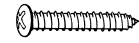
Axe de la charnière



Vis de charnière à tête hexagonale 5/16"



Vis de poignée

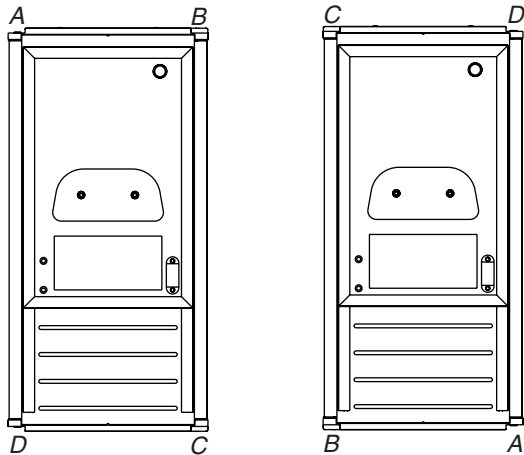


Vis d'embout

Dépose de la porte

1. Débrancher la machine à glaçons ou déconnecter la source de courant électrique.
2. Ôter les vis de la poignée et la poignée de la partie supérieure de la porte (sur certains modèles). Garder les pièces ensemble et les mettre de côté.
3. Retirer l'axe de la charnière supérieure.
4. Retirer la porte des charnières et revisser l'axe supérieur dans la charnière supérieure.
5. Retirer le revêtement de la porte (sur certains modèles) conformément aux instructions suivantes :
 - Retirer les deux vis au sommet et au bas du revêtement de la porte.
 - Retirer le revêtement et les protections des bords de la porte. Conserver les pièces ensemble et les mettre de côté.
6. Inverser les embouts de porte comme suit :
 - Retirer la vis et l'embout du coin supérieur. Le déplacer en diagonale vers le coin inférieur opposé, en gardant le côté droit de l'embout face à la machine à glaçon.

- Retirer la vis et l'embout du coin inférieur. Le déplacer en diagonale vers le coin supérieur opposé, en gardant le côté droit de l'embout face à la machine à glaçons.



A. Coin supérieur ouvert (pas d'embout)
 B. Début de l'embout du coin supérieur
 C. Début de l'embout du coin inférieur
 D. Coin inférieur ouvert (pas d'embout)

- Placer l'arrière de la porte dans le revêtement inoxydable, en gardant les protections des bords en place. Réinstaller les deux vis au sommet et au bas du revêtement.
- Mettre la porte de côté.

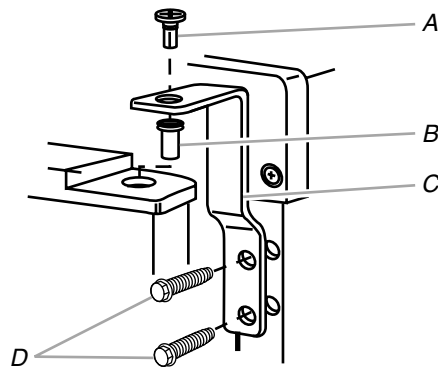
Inversion des charnières

- Dévisser et enlever la charnière supérieure. Remettre les vis dans les trous de charnière vides.
- Ôter les vis du bas du côté opposé inférieur de la caisse de la machine à glaçons. Inverser la charnière supérieure de telle sorte que l'axe pointe vers le haut. Placer la charnière du côté opposé inférieur de la machine à glaçons et serrer les vis.
- Enlever la douille de plastique de l'axe de la charnière de la "vieille" charnière inférieure et la replacer sur la nouvelle charnière inférieure.
- Ôter les vis de la "vieille" charnière inférieure et la charnière. Remettre les vis dans les trous de charnière vides.
- Ôter les vis du côté supérieur opposé de la caisse de la machine à glaçons. Inverser la charnière de telle sorte que l'axe pointe vers le bas. Placer la charnière du côté opposé supérieur de la machine à glaçons et serrer les vis.
- Ôter l'axe de la charnière supérieure.

Réinstallation de la porte

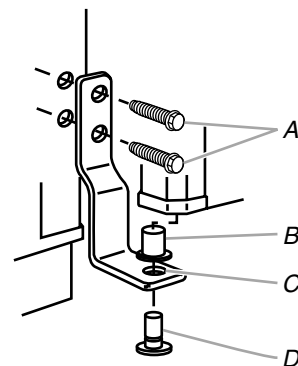
- Placer la douille de plastique de la charnière dans le trou de la charnière supérieure sur la porte. Aligner la porte avec le trou de la charnière supérieure et réinstaller l'axe supérieur.
- Réinstaller la poignée et les vis de la poignée (sur certains modèles).

Charnière supérieure



A. Axe de la charnière
 B. Douille de l'axe de la charnière
 C. Charnière
 D. Vis de charnière à tête hexagonale

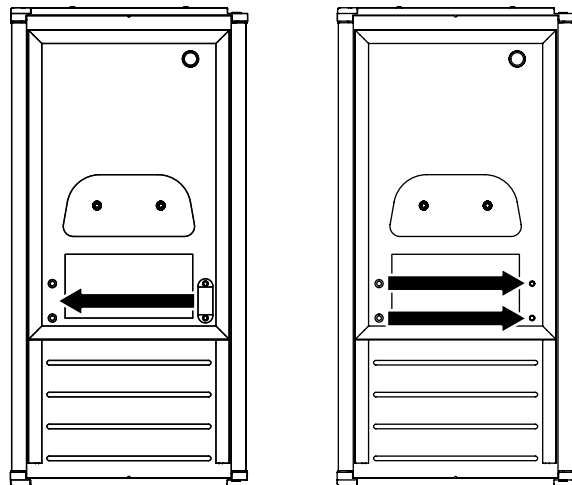
Charnière inférieure



A. Vis de charnière à tête hexagonale
 B. Douille de l'axe de la charnière
 C. Charnière
 D. Axe de la charnière

Inversion du loquet de porte

- Ôter les bouchons de trous du côté opposé de la porte et les conserver.
- Ôter les vis du loquet de porte magnétique et les réinstaller du côté opposé de la porte.



3. Pousser les bouchons de trous en place du côté opposé de la porte.

⚠ AVERTISSEMENT



Risque de choc électrique

- Brancher sur une prise à 3 alvéoles reliée à la terre.**
- Ne pas enlever la broche de liaison à la terre.**
- Ne pas utiliser un adaptateur.**
- Ne pas utiliser un câble de rallonge.**
- Le non-respect de ces instructions peut causer un décès, un incendie ou un choc électrique.**

4. Brancher sur une prise à 3 alvéoles reliée à la terre.

Sons normaux

Il est possible que votre nouvelle machine à glaçons émette des bruits qui ne vous sont pas familiers. Comme ces bruits sont nouveaux, ils peuvent vous inquiéter. La plupart de ces nouveaux bruits sont normaux. Des surfaces dures comme le plancher, les murs et les armoires peuvent faire paraître les bruits plus forts qu'en réalité. Les descriptions suivantes indiquent les genres de bruits qui peuvent être nouveaux pour vous et leur cause possible.

- Vous entendrez un bourdonnement lorsque la valve d'eau s'ouvre pour remplir le réservoir d'eau pour chaque programme.
- Des vibrations sonores peuvent provenir de l'écoulement du réfrigérant, de la canalisation d'eau ou d'articles placés sur la machine à glaçons.
- Le compresseur à haute efficacité peut produire un son aigu ou de pulsation.
- L'eau coulant sur la plaque d'évaporation peut produire un son d'éclaboussement.
- L'eau coulant de la plaque d'évaporation au réservoir d'eau peut produire un son d'éclaboussement.
- À la fin de chaque programme, vous pouvez entendre un gargouillement attribuable au réfrigérant qui circule dans votre machine à glaçons.
- Vous pouvez entendre de l'air qui est transmis au condenseur par le ventilateur du condenseur.
- Au cours du programme de récolte, vous pouvez entendre un bruit sourd lorsque la plaque de glace glisse de l'évaporateur sur la grille de coupe.
- Lors de la mise en marche initiale de la machine à glaçons, il est possible que vous entendiez l'eau couler continuellement. La machine à glaçons est programmée pour effectuer un programme de rinçage avant de commencer à fabriquer de la glace.

UTILISATION DE LA MACHINE À GLAÇONS

Fonctionnement de la machine à glaçons

Lors de la mise en marche initiale de la machine à glaçons, le bac d'eau se remplira et le système se rincera avant de commencer à fabriquer de la glace. Le rinçage prend environ cinq minutes.

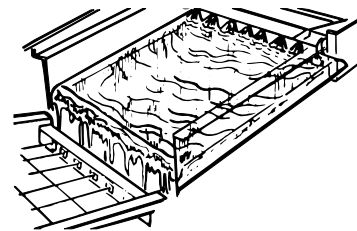
Dans les conditions de fonctionnement normales, la machine à glaçons se mettra en marche à des températures pré-réglées. Le détecteur de niveau de glace dans le bac à glaçons contrôlera les niveaux de glace.

IMPORTANT :

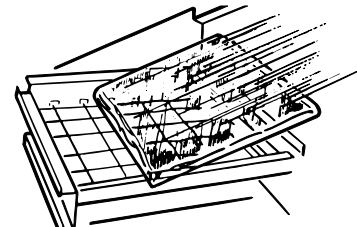
- Si l'alimentation en eau à la machine à glaçons est fermée, s'assurer que la commande de la machine à glaçons est à OFF (arrêt).
- La machine à glaçons est conçue pour fabriquer de la glace transparente à partir de la majorité des sources d'eau sur une base quotidienne. Si les résultats sont insatisfaisants, il faudra peut-être filtrer ou traiter l'eau.

Fabrication de la glace

1. L'eau circule constamment sur un plateau de congélation. Tandis que l'eau gèle, les minéraux qu'elle contient sont expulsés. Il en résulte une plaque de glace à faible teneur en minéraux.

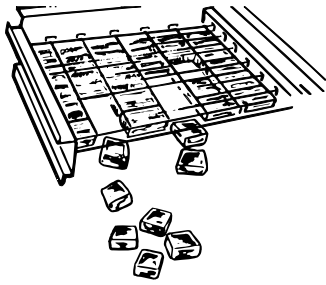


2. Une fois qu'elle a atteint l'épaisseur désirée, la plaque de glace se dégage et glisse dans une grille de coupe, où elle est taillée en glaçons.



3. L'eau contenant les déchets minéraux est évacuée après chaque programme de congélation.
4. De l'eau fraîche s'infiltre de nouveau dans la machine en vue du prochain programme de fabrication de glaçons.

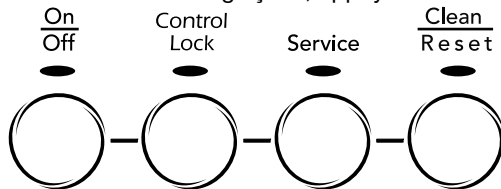
5. Les glaçons tombent dans le bac à glaçons. La machine à glaçons s'arrête automatiquement dès que le bac est plein, et elle se remet en marche lorsqu'il faut plus de glaçons. Le bac à glaçons n'est pas réfrigéré et la glace fondra un peu. Le degré de fonte dépend de la température de la pièce.



REMARQUE : Selon les variations de températures de la pièce et de l'eau, la quantité de glace produite et entreposée variera. Ceci signifie que les températures de fonctionnement plus élevées donnent une production de glace réduite.

Utilisation des commandes

1. Pour commencer le programme de production normale de glaçons, appuyer sur ON.
2. Pour arrêter la machine à glaçons, appuyer sur OFF.



REMARQUES :

- Le commutateur ON/OFF (marche/arrêt) n'arrête pas l'alimentation de la machine à glaçons.
- Accorder un délai de 24 heures pour produire la première quantité de glaçons. Jeter la première quantité de glaçons produite.

Control Lock (verrouillage des commandes)

Le tableau de commande peut être éteint pour un nettoyage facile ou pour éviter l'activation non intentionnelle par des enfants ou des animaux de compagnie.

REMARQUE : La fonction de verrouillage n'interrompt pas l'alimentation électrique à la machine à glaçons ou à la lampe du bac à glaçons. Elle désactive simplement le tableau de commande.

1. Pour verrouiller le tableau de commande, appuyer sur le bouton Control Lock jusqu'à ce que l'indicateur apparaisse.
2. Pour déverrouiller le tableau de commande, appuyer sur le bouton Control Lock jusqu'à ce que l'indicateur disparaisse.

Service

Le témoin Service indique si une visite de service est nécessaire. Si le témoin Service est allumé, éteindre puis remettre en marche la machine à glaçons. Si le témoin Service s'allume à nouveau, faire un appel de service.

Clean/Reset (nettoyage/réinitialisation)

Le témoin de statut Cleaning/Reset vous aide à déterminer lorsqu'un nettoyage de la machine à glaçons est nécessaire. Le témoin lumineux passera au jaune. Ceci indique qu'il est bientôt temps de nettoyer la machine à glaçons. On recommande de nettoyer la machine à glaçons lorsque le témoin lumineux passe au rouge OU lorsque la production de glaçons diminue de façon significative. Pour nettoyer la machine à glaçons, voir "Système de la machine à glaçons" à la section "Nettoyage".

ENTRETIEN DE LA MACHINE À GLAÇONS

Nettoyage

Le système de fabrication des glaçons et le condenseur à air refroidi doivent être nettoyés régulièrement pour que la machine à glaçons puisse fonctionner au maximum de son efficacité et afin d'éviter une défaillance prématurée des composants du système. Voir les sections "Système de la machine à glaçons" et "Condenseur".

Surfaces extérieures

Laver les surfaces extérieures en émail et les joints étanches avec de l'eau tiède et un savon doux ou un détergent. Essuyer et sécher. L'utilisation régulière d'un bon produit de nettoyage et de cire domestique aidera à protéger la finition. Ne pas utiliser de produits de nettoyage abrasifs sur les surfaces émaillées pour ne pas érafler la finition.

Pour les produits avec surface extérieure en acier inoxydable, utiliser une éponge ou un linge propre et un détergent doux avec de l'eau tiède. Ne pas utiliser de produits de nettoyage abrasifs ou rudes. Ne pas utiliser d'eau de Javel sur les surfaces en acier inoxydable.

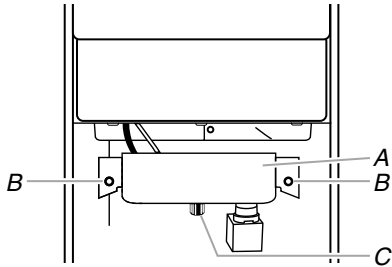
Système de la machine à glaçons

Les minéraux rejetés par la circulation de l'eau pendant la congélation finiront par former un dépôt de tartre dans le système. Nettoyer périodiquement le système de formation aide à enlever les dépôts de minéraux accumulés. La fréquence des nettoyages sera fonction de la dureté de l'eau. Lorsque l'eau est dure (15 à 20 grains/gal. [4 à 5 grains/litre]), vous devrez faire des nettoyages probablement tous les six mois.

REMARQUE : Utiliser une bouteille de 16 oz (473 mL) de produit de nettoyage approuvé pour la machine à glaçons. Pour le commander, composer le **1-800-JENNAIR** et demander le numéro de pièce 4396808. Au Canada, composer le **1-800-807-6777**.

1. Placer le sélecteur en position OFF.
2. Attendre de 5 à 10 minutes que la glace tombe dans le bac d'entreposage. Retirer toute la glace du bac d'entreposage.
3. Dévisser le capuchon de vidange du bas du bac à eau situé à l'intérieur du bac d'entreposage tel qu'illustré. Laisser l'eau se vidanger complètement.
4. Réinstaller le capuchon de vidange solidement sur le bac à eau. Si le capuchon de vidange est desserré, l'eau s'écoulera du bac à eau et la glace sera mince ou il n'y aura pas de glace.
5. Lire et suivre toutes les instructions apparaissant sur la bouteille avant de suivre les étapes suivantes. Utiliser une bouteille de 16 oz (473 mL) de produit de nettoyage approuvé pour la machine à glaçons.

6. Verser une bouteille de cette solution dans le bac à eau. Remplir la bouteille à deux reprises avec de l'eau du robinet et verser le contenu dans le bac à eau.



A. Bac à eau
B. Vis à ailette du bac à eau
C. Capuchon de vidange

7. Appuyer sans relâcher sur le bouton CLEAN (nettoyage). Voir "Utilisation des commandes". Le voyant clignote pour indiquer que le programme de nettoyage est en cours. Lorsque le voyant indicateur passe au vert (après 70 minutes environ), le programme de nettoyage est terminé. Pendant le programme de nettoyage, le système se nettoie et se rince.
8. Une fois que le programme de nettoyage est terminé, ôter le capuchon de vidange du bac à eau. Voir s'il reste de la solution de nettoyage dans le bac à eau. Si la solution de nettoyage se vidange du bac à eau, recommencer le programme de nettoyage. Veiller à réinstaller le capuchon solidement sur le bac à eau. Si le capuchon de vidange est desserré, l'eau s'écoulera du bac à eau et la glace sera mince ou il n'y aura pas de glace.

REMARQUE : Les accumulations importantes de tartre pourraient nécessiter des nettoyages répétés avec une quantité fraîche de solution de nettoyage.

9. Remettre le sélecteur en position ON pour recommencer la production de glaçons.

Condenseur

Un condenseur sale ou obstrué :

- Entraîne l'obstruction du flux d'air.
- Réduit la capacité de production des glaçons.
- Entraîne des températures d'utilisation supérieures à celles recommandées, ce qui pourrait entraîner des pannes.

⚠ AVERTISSEMENT



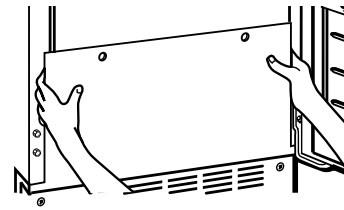
Risque de choc électrique

Déconnecter la source de courant électrique avant le nettoyage.

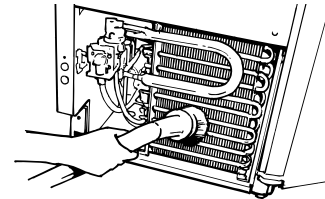
Replacer pièces et panneaux avant de faire la remise en marche.

Le non-respect de ces instructions peut causer un décès ou un choc électrique.

2. Retirer les deux vis du panneau d'accès inférieur et les deux vis de la grille de base du support du panneau avant.
3. Tirer le bas vers l'avant, puis tirer vers le bas pour retirer le panneau d'accès inférieur.



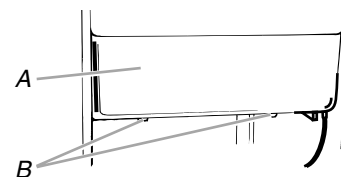
4. Retirer la saleté et la charpie déposées sur les ailettes du condenseur et du logement de l'unité de condensation à l'aide de la brosse d'un aspirateur.



5. Remettre le panneau d'accès inférieur en place et le fixer à l'aide des quatre vis.
6. Brancher la machine à glaçons ou reconnecter la source de courant électrique.

Composants intérieurs

1. Débrancher la machine à glaçons ou déconnecter la source de courant électrique.
2. Ouvrir la porte où se trouve le bac à glaçons et retirer tout glaçon qui s'y trouve.
3. Retirer le capuchon de vidange du réservoir d'eau et vidanger ce dernier complètement. Réinstaller le capuchon de vidange solidement sur le bac à eau. Si le capuchon de vidange est desserré, l'eau s'écoulera du bac à eau et la glace sera mince ou il n'y aura pas de glace.
4. Ôter les deux vis qui maintiennent le couvercle de la grille de coupe en place et retirer le couvercle de la grille de coupe.
5. Débrancher le faisceau de câblage du côté gauche de la grille de coupe.



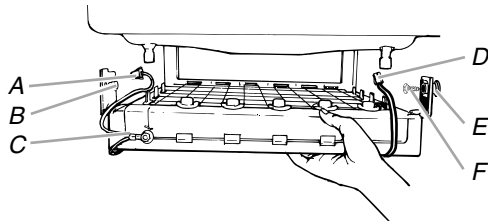
A. Couvercle de la grille de coupe
B. Vis

6. Débrancher le détecteur de niveau de glaçons du côté droit de la grille de coupe. Tirer le détecteur de niveau vers le bas et vers l'avant pour l'éloigner de la grille de coupe.

1. Débrancher la machine à glaçons ou déconnecter la source de courant électrique.

7. Retirer les vis de droite et de gauche. Soulever la grille de coupe et la sortir.

REMARQUE : Il faut s'assurer que la cale d'espacement en plastique du côté droit du support de la grille de coupe suit cette dernière.



A. Faisceau de la grille de coupe

B. Vis

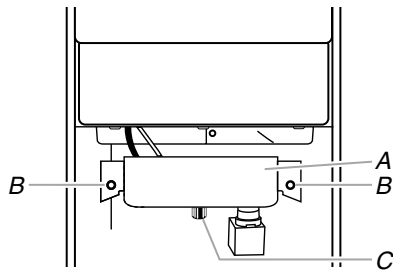
C. Grille de coupe

D. Faisceau du détecteur de niveau de glaçons

E. Cale d'espacement en plastique

F. Vis

8. Retirer les deux vis à ailette qui maintiennent le bac à eau en place. Appuyer avec une main sur l'avant du bac tout en tirant vers l'avant sur le côté arrière inférieur.



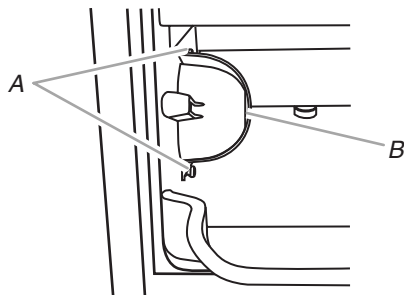
A. Bac à eau

B. Vis à ailette du bac à eau

C. Capuchon de vidange

9. Retirer, nettoyer et réinstaller la pelle à glace et son support.

- Après avoir retiré la pelle à glace, enlever le support en ôtant les deux vis à ailette.
- Laver le support de la pelle à glace avec les autres composants intérieurs conformément aux instructions suivantes.
- Réinstaller le support de la pelle à glace en réinstallant les vis à ailette.



A. Vis à ailette

B. Support de pelle à glace

10. Laver les composants intérieurs (la grille de coupe, l'extérieur des tuyaux et le bac à eau), le bac d'entreposage des glaçons, le joint étanche de la porte et la pelle à glace ainsi que son support avec de l'eau tiède et un savon ou un détergent doux. Rincer avec de l'eau propre. Nettoyer ensuite ces mêmes composants à l'aide d'une solution comprenant 1 cuillerée à soupe (15 mL) d'agent de blanchiment dans 1 gal (3,8 L) d'eau tiède. Rincer à nouveau à fond avec de l'eau propre.

REMARQUE : Ne pas retirer les tuyaux. Ne pas laver les composants en plastique au lave-vaisselle. Ces composants ne résistent pas à des températures supérieures à 145°F (63°C).

11. Remettre le bac à eau en place en appuyant sur le fond avec une main tout en poussant vers le haut et vers l'arrière sur le dessus. Fixer le bac à eau en mettant les deux vis en place.

12. Faire les vérifications suivantes :

- Le capuchon de vidange du bac à eau est solidement en place. Si le capuchon de vidange est desserré, l'eau s'écoulera du bac à eau et la glace sera mince ou il n'y aura pas de glace.
- Le tuyau provenant du bac à eau est inséré dans l'ouverture de vidange du bac d'entreposage.

13. Glisser la grille de coupe en place et la fixer en remettant la vis du côté droit et la cale d'espacement en plastique. Serrer ensuite la vis du côté gauche. Reconnecter les faisceaux de la grille de coupe et du détecteur de niveau de glaçons.

14. Réinstaller le couvercle de la grille de coupe et les deux vis.

15. Brancher la machine à glaçons ou reconnecter la source de courant électrique.

Précautions à prendre avant les vacances ou un déménagement

⚠ AVERTISSEMENT



Risque de choc électrique

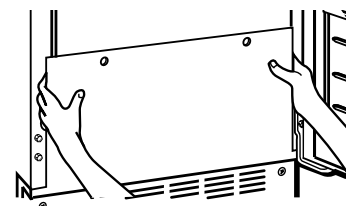
Déconnecter la source de courant électrique avant l'entretien.

Remplacer pièces et panneaux avant de faire la remise en marche.

Le non-respect de ces instructions peut causer un décès ou un choc électrique.

Arrêt de la machine à glaçons :

1. Débrancher la machine à glaçons ou déconnecter la source de courant électrique.
2. Enlever tous les glaçons du bac d'entreposage.
3. Interrompre l'arrivée d'eau.
4. Enlever les deux vis du panneau de l'ouverture d'accès inférieure et les deux vis de la grille de la base (support du panneau avant). Tirer vers l'avant pour enlever le panneau de l'ouverture d'accès inférieure.



5. Déconnecter les canalisations d'entrée et sortie sur la vanne à eau. Laisser l'eau s'écouler des canalisations, puis reconnecter les canalisations.
6. Réinstaller le panneau de l'ouverture d'accès inférieure et les vis.
7. Évacuer l'eau du bac à eau (ôter le capuchon de vidange).
8. Si la température de la pièce s'abaisse à moins de 32°F (0°C), évacuer toute eau restant dans le conduit de drainage.

Machine à glaçons avec pompe de vidange :

- Brancher la machine à glaçons ou reconnecter la source de courant électrique.
- Arrêter la machine à glaçons, et enlever tous les glaçons du bac à glaçons.

- Verser 1 pinte (0,95 L) d'eau dans le réceptacle à glaçons près de l'orifice de drainage, et attendre environ cinq minutes. Ceci permettra à l'eau de s'écouler depuis le réceptacle jusqu'à la pompe de vidange pour que la pompe puisse évacuer toute l'eau qui reste dans le bac à glaçons et dans la pompe.
 - Débrancher la machine à glaçons ou déconnecter la source de courant électrique.
9. Avant d'utiliser l'appareil de nouveau, nettoyer la machine à glaçons et le bac à glaçons.
 10. Brancher la machine à glaçons dans une prise à 3 alvéoles reliée à la terre.

REMARQUE : Tous les composants de la machine à glaçons ont reçu une lubrification permanente à l'usine. Aucune autre lubrification ne devrait être nécessaire durant la vie normale de la machine.

DÉPANNAGE

Essayer d'abord les solutions suggérées ci-dessous pour éviter le coût d'une visite de service inutile.

Fonctionnement de la machine à glaçons

La machine à glaçons ne fonctionne pas

⚠ AVERTISSEMENT



Risque de choc électrique

- Brancher sur une prise à 3 alvéoles reliée à la terre.**
- Ne pas enlever la broche de liaison à la terre.**
- Ne pas utiliser un adaptateur.**
- Ne pas utiliser un câble de rallonge.**
- Le non-respect de ces instructions peut causer un décès, un incendie ou un choc électrique.**

- **Le cordon d'alimentation est-il branché?** Brancher l'appareil sur une prise à 3 alvéoles reliée à la terre.
- **La commande est-elle réglée à ON (marche)?** S'assurer que la commande est réglée à ON (marche).
- **Un fusible est-il grillé ou le disjoncteur s'est-il déclenché?** Remplacer le fusible ou réenclencher le disjoncteur. Si le problème persiste, appeler un électricien.

- **La température de la pièce est-elle plus basse que d'habitude?** La température de la pièce doit être supérieure à 55°F (13°C). Sinon, le thermostat du bac peut détecter une température de la pièce basse et s'arrêter même si le bac n'est pas plein de glaçons. L'appareil peut aussi ne pas se remettre en marche une fois qu'il s'éteint.
- **Le témoin vert s'allume-t-il lorsque le bouton Clean (nettoyage) est enfoncé?** La machine à glaçons est sous tension mais nécessite un nettoyage. Voir "Nettoyage".
- **La machine à glaçons comporte-t-elle une pompe de vidange?** Si une grande quantité d'eau a été ajoutée à la machine à glaçons, attendre quelques minutes pour que la pompe de vidange évacue l'eau. S'il y a de l'eau stagnante dans le bac, vérifier pour voir si le tuyau d'évacuation est déformé.

La machine à glaçons semble bruyante

- **De l'eau circule-t-elle dans la machine à glaçons?** Ceci est le fonctionnement normal. L'eau est ajoutée une fois par cycle de fabrication des glaçons.
- **L'eau dans le réservoir déborde-t-elle?** Ceci est normal. Ce débordement aide à purger les minéraux éliminés de l'eau durant le processus de fabrication des glaçons.
- **Y a-t-il un bruit de "chuintement"?** Vérifier ce qui suit :
 - S'assurer que l'alimentation en eau est correctement raccordée et branchée.
 - Vérifier que le capuchon de vidange est serré et que la pompe de vidange est correctement fixée au bac à eau.
- **Y a-t-il de la glace entre la plaque de l'évaporateur et la grille de coupe?** Vérifier que la machine à glaçons est d'aplomb. Voir "Nivellement". Si la machine à glaçons est d'aplomb mais que le problème persiste, effectuer un programme de nettoyage. Voir "Nettoyage".

Production de glaçons

La machine à glaçons fonctionne mais ne produit pas de glaçons

- **La commande est-elle réglée à ON (marche)?** S'assurer que la commande est réglée à ON (marche).
- **L'alimentation en eau est-elle raccordée?** S'assurer que l'alimentation en eau est correctement reliée et branchée.
- **Le capuchon de vidange est-il bien en place?** Si le capuchon de vidange est desserré, l'eau s'écoulera du bac à eau et la glace sera mince ou il n'y aura pas de glace. Resserrer le capuchon de vidange.
- **Y a-t-il des débris dans le tube de vidange?** Nettoyer le tube de vidange.
- **La canalisation de drainage est-elle déformée?** Vérifier que la canalisation n'est pas déformée.
- **Le témoin de service clignote-t-il en permanence?** Faire un appel de service.

La machine à glaçons fonctionne mais produit très peu de glaçons

- **La température de la pièce est-elle plus élevée que d'habitude?** Les températures supérieures à 90°F (32°C) réduiront normalement la production de glaçons.

⚠ AVERTISSEMENT



Risque de choc électrique

Déconnecter la source de courant électrique avant l'entretien.

Replacer pièces et panneaux avant de faire la remise en marche.

Le non-respect de ces instructions peut causer un décès ou un choc électrique.

- **Le condenseur est-il sale?** De la saleté ou de la charpie peuvent bloquer le débit d'air passant dans le condenseur. Voir "Condenseur" dans la section "Nettoyage".
- **Y a-t-il une accumulation de tartre dans la machine à glaçons?** S'il y a une accumulation blanche de tartre dans le système d'eau ou de congélation de la machine à glaçons, il faut nettoyer l'appareil. Voir "Composants intérieurs" dans la section "Nettoyage".
- **Le capuchon de vidange est-il bien en place?** Si le capuchon de vidange est desserré, l'eau s'écoulera du bac à eau et la glace sera mince ou il n'y aura pas de glace. Resserrer le capuchon de vidange s'il est desserré.

La grille ne découpe pas les plaques de glace

- **La grille de coupe est-elle bien en place?** Vérifier la fiche de câblage de la grille de coupe pour être sûr du bon raccordement. Voir la section "Composants intérieurs" de "Nettoyage" pour les instructions pour ôter la grille de coupe.

Qualité des glaçons

Goût, odeur ou couleur grise des glaçons

- **Y a-t-il une teneur en minéraux anormalement élevée dans l'alimentation en eau?** L'eau peut avoir besoin d'être filtrée ou traitée.
- **Y a-t-il une accumulation de tartre?** Nettoyer la machine à glaçons. Voir "Système de la machine à glaçons" dans la section "Nettoyage".
- **Y a-t-il des aliments dans le bac à glaçons?** Ne pas conserver d'aliments dans le bac à glaçons.
- **Tous les matériaux d'emballage ont-ils été enlevés?** S'assurer que tous les matériaux d'emballage ont été enlevés au moment de l'installation.

Glaçons minces, mous ou agglomérés

- **Y a-t-il une teneur en minéraux anormalement élevée dans l'alimentation en eau?** L'eau peut avoir besoin d'être filtrée ou traitée.
- **Y a-t-il une accumulation de tartre?** Nettoyer la machine à glaçons. Voir "Système de la machine à glaçons" dans la section "Nettoyage".
- **Les glaçons sont-ils agglomérés dans le bac?** Si les glaçons ne sont pas utilisés régulièrement, ils fondent et forment un agglomérat. Rompre les agglomérats avec la pelle à glace fournie.

Problèmes de plomberie

⚠ AVERTISSEMENT

Risque du poids excessif

Utiliser deux ou plus de personnes pour déplacer et installer la machine à glaçons.

Le non-respect de cette instruction peut causer une blessure au dos ou d'autre blessure.

- **Le tuyau de vidange est-il aligné au-dessus de l'évacuation?** Déplacer la machine à glaçons pour qu'elle s'aligne avec l'évacuation. Voir "Raccordement à la canalisation d'eau".

REMARQUE : Les techniciens de service ne peuvent pas réparer les problèmes de plomberie à l'extérieur de la machine à glaçons. Appeler un plombier agréé et qualifié.

ASSISTANCE OU SERVICE

Avant de faire un appel pour assistance ou service, veuillez vérifier la section "Dépannage". Cette vérification peut vous faire économiser le coût d'une visite de service. Si vous avez encore besoin d'aide, suivez les instructions ci-dessous.

Lors d'un appel, veuillez connaître la date d'achat et les numéros de modèle et de série complets de votre appareil. Ces renseignements nous aideront à mieux répondre à votre demande.

Aux États-Unis

Si le problème n'est pas attribuable à l'une des raisons indiquées dans la section "Dépannage"...

Téléphonez au marchand qui vous a vendu l'appareil ou téléphonez à Jenn-Air au **1-800-JENNAIR (1-800-536-6247)** pour localiser une compagnie de service autorisée. Lors d'un appel, veuillez connaître la date d'achat et les numéros de modèle et de série complets de votre appareil. Assurez-vous de conserver la preuve d'achat pour vérifier les conditions de la garantie.

Si le marchand ou la compagnie de service ne peut pas résoudre votre problème, écrivez à :

Jenn-Air Brand Home Appliances

Customer eXperience Center

553 Benson Road

Benton Harbor, MI 49022-2692

Adresse Internet : www.jennair.com

ou composez le : **1-800-JENNAIR (1-800-536-6247)**.

Si vous êtes des clients aux É.-U. utilisant l'ATS pour les personnes sourdes, malentendantes ou souffrant de troubles de l'élocution, composez le : **1-800-688-2080** (du lundi au vendredi, entre 8 h et 20 h HNE).

REMARQUE : Pour toute correspondance ou appel au sujet d'un problème de service, veuillez inclure les renseignements suivants :

1. Vos nom, adresse et numéro de téléphone durant la journée.
2. Numéros de modèle et de série de l'appareil.
3. Nom et adresse de votre marchand ou du service d'entretien.
4. Une description claire du problème existant.
5. Preuve d'achat (reçu de vente).

Les guides de l'utilisateur, manuels d'entretien et informations sur les pièces sont disponibles auprès du centre pour l'eXpérience de la clientèle des appareils électroménagers de la marque Jenn-Air.

Au Canada

Si le problème n'est pas attribuable à l'une des raisons indiquées dans la section "Dépannage"...

Téléphonez au marchand qui vous a vendu l'appareil ou téléphonez à Jenn-Air en composant le **1-800-807-6777** pour localiser une compagnie de service autorisée. Lors d'un appel, veuillez connaître la date d'achat et les numéros de modèle et de série complets de votre appareil. Assurez-vous de conserver la preuve d'achat pour vérifier les conditions de la garantie.

Si le marchand ou la compagnie de service ne peut pas résoudre votre problème, écrivez à :

Jenn-Air Brand Home Appliances

Centre d'eXpérience à la clientèle

1901 Minnesota Court

Mississauga, ON L5N 3A7

Adresse Internet : www.jennair.ca

ou composez le **1-800-807-6777**.

REMARQUE : Pour toute correspondance ou appel au sujet d'un problème de service, veuillez inclure les renseignements suivants :

1. Vos nom, adresse et numéro de téléphone durant la journée.
2. Numéros de modèle et de série de l'appareil.
3. Nom et adresse de votre marchand ou du service d'entretien.
4. Une description claire du problème existant.
5. Preuve d'achat (reçu de vente).

Les guides de l'utilisateur, manuels d'entretien et informations sur les pièces sont disponibles auprès du Centre pour l'eXpérience de la clientèle des appareils électroménagers de la marque Jenn-Air.

GARANTIE DE LA MACHINE À GLAÇONS JENN-AIR™

GARANTIE LIMITÉE DE UN AN

Pendant un an à compter de la date d'achat, lorsque ce gros appareil ménager est utilisé et entretenu conformément aux instructions jointes à ou fournies avec le produit, dans un contexte résidentiel, Jenn-Air, marque de Whirlpool Corporation ou Whirlpool Canada LP (ci-après désignée "Jenn-Air") paiera pour les pièces spécifiées par l'usine et la main-d'œuvre pour corriger les vices de matériaux ou de fabrication. Le service doit être fourni par une compagnie de service désignée par Jenn-Air.

GARANTIE LIMITÉE DE LA DEUXIÈME À LA CINQUIÈME ANNÉE INCLUSIVEMENT SUR LES PIÈCES DU SYSTÈME DE RÉFRIGÉRATION SCÉLLÉ

De la deuxième à la cinquième année inclusivement à compter de la date d'achat, lorsque ce produit est utilisé dans un contexte résidentiel, et entretenu conformément aux instructions fournies avec le produit, JennAir paiera pour les pièces de rechange et la main-d'œuvre pour la correction des vices de matériaux ou de fabrication sur le système de réfrigération scellé. Ces pièces comprennent : compresseur, évaporateur, condenseur, séchoir/grille et conduits de connexion. Le service doit être exécuté par une compagnie de service désignée par Jenn-Air.

JENN-AIR NE PRENDRA PAS EN CHARGE

1. Les visites de service pour rectifier l'installation du gros appareil ménager, montrer à l'utilisateur comment utiliser l'appareil, remplacer ou réparer des fusibles ou rectifier le câblage ou la plomberie du domicile.
2. Les visites de service pour réparer ou remplacer les ampoules électriques de l'appareil, les filtres à air ou les filtres à eau. Ces pièces consommables ne sont pas couvertes par la garantie.
3. Les réparations lorsque le gros appareil ménager est utilisé à des fins autres que l'usage unifamilial normal.
4. Les dommages imputables à : accident, modification, usage impropre ou abusif, incendie, inondation, actes de Dieu, installation fautive ou installation non conforme aux codes d'électricité ou de plomberie, ou l'utilisation de produits non approuvés par Jenn-Air.
5. Toute perte d'aliments due à une défaillance du réfrigérateur ou du congélateur.
6. Le coût des pièces de rechange et de la main-d'œuvre pour les appareils utilisés hors des États-Unis ou du Canada.
7. Le ramassage et la livraison. Ce gros appareil ménager est conçu pour être réparé à domicile.
8. Les réparations aux pièces ou systèmes résultant d'une modification non autorisée faite à l'appareil.
9. Les frais de voyage ou de transport pour le service d'un produit dans les régions éloignées.
10. La dépose et la réinstallation de votre appareil si celui-ci est installé dans un endroit inaccessible ou n'est pas installé conformément aux instructions d'installation fournies.

CLAUSE D'EXONÉRATION DE RESPONSABILITÉ AU TITRE DES GARANTIES IMPLICITES; LIMITATION DES RECOURS

LE SEUL ET EXCLUSIF RECOURS DU CLIENT DANS LE CADRE DE LA PRÉSENTE GARANTIE LIMITÉE CONSISTE EN LA RÉPARATION PRÉVUE CI-DESSUS. LES GARANTIES IMPLICITES, Y COMPRIS LES GARANTIES APPLICABLES DE QUALITÉ MARCHANDE ET D'APTITUDE À UN USAGE PARTICULIER, SONT LIMITÉES À UN AN OU À LA PLUS COURTE PÉRIODE AUTORISÉE PAR LA LOI. JENN-AIR N'ASSUME AUCUNE RESPONSABILITÉ POUR LES DOMMAGES FORTUITS OU INDIRECTS. CERTAINES JURIDICTIONS NE PERMETTENT PAS L'EXCLUSION OU LA LIMITATION DES DOMMAGES FORTUITS OU INDIRECTS, OU LES LIMITATIONS DE LA DURÉE DES GARANTIES IMPLICITES DE QUALITÉ MARCHANDE OU D'APTITUDE À UN USAGE PARTICULIER, DE SORTE QUE CES EXCLUSIONS OU LIMITATIONS PEUVENT NE PAS S'APPLIQUER DANS VOTRE CAS. CETTE GARANTIE VOUS CONFÈRE DES DROITS JURIDIQUES SPÉCIFIQUES ET VOUS POUVEZ ÉGALEMENT JOUIR D'AUTRES DROITS QUI PEUVENT VARIER D'UNE JURIDICTION À UNE AUTRE.

À l'extérieur du Canada et des 50 États des États-Unis, cette garantie ne s'applique pas. Contacter votre marchand Jenn-Air autorisé pour déterminer si une autre garantie s'applique.

Si vous avez besoin de service, voir d'abord la section "Dépannage" du Guide d'utilisation et d'entretien. Après avoir vérifié la section "Dépannage", de l'aide supplémentaire peut être trouvée en vérifiant la section "Assistance ou service" ou en appelant Jenn-Air. Aux É.-U., composer le **1-800-JENNAIR (1-800-536-6247)**. Au Canada, composer le **1-800-807-6777**.

8/07

Conservez ce manuel et votre reçu de vente ensemble pour référence ultérieure. Pour le service sous garantie, vous devez présenter un document prouvant la date d'achat ou d'installation.

Inscrivez les renseignements suivants au sujet de votre gros appareil ménager pour mieux vous aider à obtenir assistance ou service en cas de besoin. Vous devrez connaître le numéro de modèle et le numéro de série au complet. Vous trouverez ces renseignements sur la plaque signalétique située sur le produit.

Nom du marchand _____

Adresse _____

Numéro de téléphone _____

Numéro de modèle _____

Numéro de série _____

Date d'achat _____

W10122019C

© 2008.

All rights reserved.

Todos los derechos reservados.

Tous droits réservés.

® Registered Trademark™ Trademark of Jenn-Air, U.S.A. Used under license by Maytag Limited in Canada.

® Marca registrada™ Marca de comercio de Jenn-Air, U.S.A. Usada bajo licencia por Maytag Limited en Canadá.

® Marque déposée™ Marque de commerce de Jenn-Air, E.-U. Emploi sous licence par Maytag Limited au Canada.

5/08

Printed in U.S.A.

Impreso en EE.UU.

Imprimé aux É.-U.